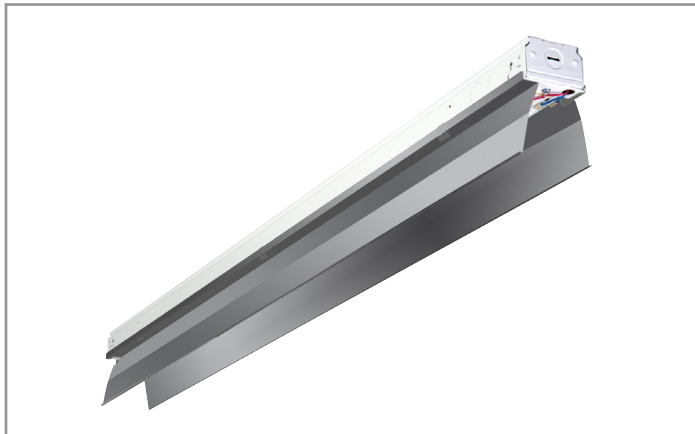


Project		Catalog #		Type	
Prepared by		Notes		Date	



Metalux

SNLED Industrial

Reflector LED Striplight

Typical Applications

Industrial • Retail • Residential • Storage / Utility • Coves • Display Cases • Shops • General Area Lighting

Interactive Menu

- Order Information [page 2](#)
- Photometric Data [page 3](#)
- Connected Systems [page 3](#)
- Product Warranty

Product Certification



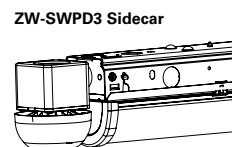
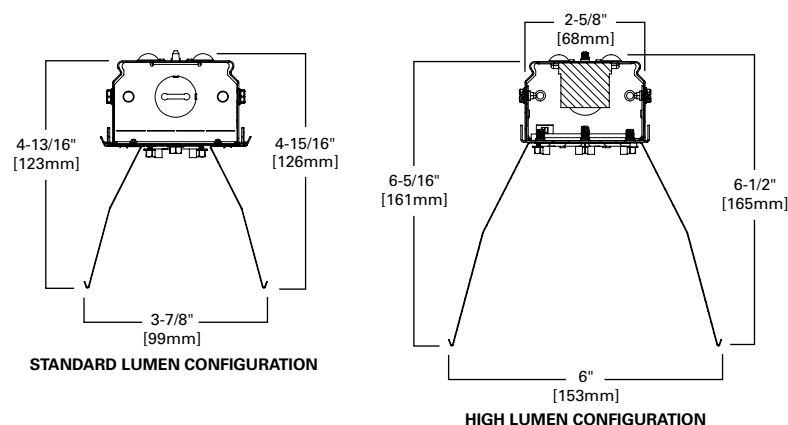
Product Features



Top Product Features

- Standard (SL) and High lumen/High Efficacy (HL) packages
- High efficiencies - up to 153 LPW
- Three different lens types for optical control
- Two different reflectors for precise distribution control
- Available CCT: 3000K, 3500K, 4000K and 5000K
- Minimum CRI of 80; 90 CRI available
- Options to meet Trade Agreements Act requirements

Dimensional Details



[additional product diagrams](#)

Order Information

SAMPLE ORDER NUMBER: **4SNLED-LD5-47SL-RM-UNV-L835-CD1-U**

Domestic Preferences ⁽¹⁾	Length	Series	Lamp Type	LED Lumen Output ⁽⁹⁾		Reflector	Voltage	Options
[Blank]=Standard TAA=Trade Agreements Act	2=2 ft. Length 4=4 ft. Length 8T=8 ft. Length	SNLED= Commercial LED Striplight ⁽²⁾	LD5=LED 5.0	Miro Reflectors 19SL ⁽⁴⁾ 23SL ⁽⁴⁾ 27SL ⁽⁴⁾ 31SL 32HL 35SL 39SL 42SL 47SL 48HL 50SL 52HL 54SL 58SL 62SL 65HL 62HL 70SL 72HL 78SL 85SL 95SL 101SL 109SL ⁽⁶⁾ 120HL ⁽⁶⁾ 160HL ⁽⁵⁾	White Reflectors 18SL ⁽⁴⁾ 21SL ⁽⁴⁾ 25SL ⁽⁴⁾ 28SL 30HL 32SL 36SL 39SL 43SL 45HL 46SL 48HL 50SL 54SL 57SL 57HL 64SL 67HL 72SL 79SL 86SL 93SL 101SL ⁽⁴⁾ 120HL ⁽⁶⁾ 160HL ⁽⁵⁾	RM=Specular RW=White	UNV=Universal Voltage 120-277 347V=347V 480V=480V ⁽⁷⁾	Emergency EL7W=7-watt, 120V-277V emergency battery pack installed ^{(8), (10)} EL14W=14-watt 120V-277V emergency battery pack installed ^{(8), (10)} GTR2=Bodine Generator Transfer Relay ⁽¹¹⁾ ETRD=Iota Emergency Transfer Relay with dimming control ⁽¹¹⁾ WNPS=WaveLinX with Normal Power Sensing Beacon ^{(19), (20), (21), (22)} WEM=WaveLinX Enabled UL924 ^{(19), (21), (22)} Wiring PI/CPI=Plug in and cross over plug in options ⁽¹³⁾ PC6/515P=(NEMA 5-15P) 6' Cord with NEMA Straight Plug ^{(12), (13)} PC6/L715=(NEMA L7-15P) 6' Cord with NEMA Twist Plug ^{(12), (13)} Motion Sensors LB-ERMS360=360' Low Bay Motion Sensor - End of Row, 8' Mounting LB-MRMS360=360' Low Bay Motion Sensor - Middle of Row, 8' Mounting HB-ERMS360=360' High Bay Motion Sensor - End of Row, 15'-20' Mounting ⁽⁹⁾ HB-MRMS360=360' High Bay Motion Sensor - Middle of Row, 15'-20' Mounting ⁽⁹⁾ WLS=WaveLinX LITE Integrated Sensor, Dim and Daylight, Bluetooth, 8'-15' MH ^{(23), (A)} WPS=WaveLinX PRO Integrated Sensor, Dim and Daylight, ZigBee, 8'-15' MH ^{(23), (A)} WLS4=WaveLinX LITE, Dimming Motion and Daylight, Bluetooth Programmable, 15' - 40' Mounting ^{(14), (15), (B)} WPS4=WaveLinX PRO, Dimming Motion and Daylight, WAC Programmable, 15' - 40' Mounting ^(A) CCT / CRI L830=3000K, 80 CRI L835=3500K, 80 CRI L840=4000K, 80 CRI L850=5000K, 80 CRI L930=3000K, 90 CRI L935=3500K, 90 CRI L940=4000K, 90 CRI L950=5000K, 90 CRI

Drive Type	Number of Drivers	Packaging	Accessories (Order Separately) ⁽¹⁸⁾
CD=0-10V Dimming Driver (10% - 100% Dimming) ⁽²³⁾ HCD=0-10V Dimming Driver (1% - 100% Dimming) ⁽²³⁾ SD=Step-dim (Bi Level) ⁽¹⁶⁾ 5LTD=Fifth Light (DALI) Driver ^{(16), (17)}	1=1 Driver 2=2 Drivers	U=Unit Pack	AYC=Chain/Set=36" Chain Hanger (Use 1 set per fixture) SCF=Fixed Stem Set (Specify Length) SCS=Swivel Stem Set (Specify Length) SCA=Adjustable 48" Stem Set EYE-CHAIN/SET-B=Eye Bolt Chain (Use 1 set per fixture) A1B/Spacer-U=Spacer 1-1/2" to 2-1/2" from ceiling (Use 2 per fixture) TOGGLE=Single Toggle No. 2 (Specify Length) Y-TOGGLE-...-2PK=(2) Y-Toggle Cable Kits (Specify 10 or 30 for length in feet) GRP-SNF-U=Gripper Hanger CLC-SNLED-EXT-B=SNLED Long Row Aligner Extension

Notes: (1) Only product configurations with this designated prefix are built to be compliant with the Trade Agreements Act of 1979 (TAA). Please refer to DOMESTIC.PREFERENCES website for more information. Components shipped separately may be separately analyzed under domestic preference requirements. (2) DesignLights Consortium® Qualified and classified for both DLC Standard and DLC Premium, refer to www.designlights.org for details. (3) Nominal lumen values. See table for values and fixture length. (4) Available in 2 ft. and 4 ft. (5) Requires two drivers. (6) DALI and Step-dim versions require two drivers. (7) 4 ft. and 8 ft. only. (8) 4 ft. and 8 ft. only. (9) Motion Sensor offers dimmability. (10) With integral test switch/indicator/laser test. For approximate delivered lumens multiply the lumens per watt of the desired fixture by the wattage of the emergency battery pack (100 lm/W x 7=700 lumens). IES-format photometry for luminaire under emergency operation available. (11) Used to bypass local control during outage. Must be used in conjunction with UL 1008 device (provided by others). GTR2 option includes 2 relays on fixtures with dimming drivers. ETRD option only requires one relay when used on a dimming fixture. Must specify voltage as 120V or 277V when ordering these devices. (12) Most common C&P shown. Must specify location for cord. All "end" locations will be on the end with sensor installed. (13) Consult tech support on numerous options for this feature. (14) WLSs provided in separate enclosure. (15) Not available in Mid-Row Configuration. (16) 4 ft. and 8 ft. only. (17) For a complete listing of Fifth Light products, visit www.cooperlighting.com. (18) Accessories sold separately will be separately analyzed under domestic preference requirements. Consult factory for further information. (19) Only available as part of a WaveLinX control system; must order with WLS or WPS sensor. Compatible with UNV CD drivers only. (20) WNPS is compatible with ESP-L or ESP-P emergency control devices. (21) Cannot be combined with other emergency, control or relay options. (22) For UL924 compliance, WEM and WNPS luminaires must be installed in the same application space. (23) WPS and WLS used with CD or HCD drivers only.

Integrated options must be used in conjunction with the associated system and may not be compatible with other options or accessories. Please refer to the following: (A) Consult WaveLinX system pages for additional details and compatibility. (B) Consult WaveLinX Lite system pages for additional details and compatibility.

Product Specifications

Construction

- Die-formed of cold rolled steel with numerous knockouts for easy installation
- Groove for Tong Hanger
- Convertible end plate for continuous row alignment
- Channel/wireway cover secured with sheet metal screws
- Surface, pendant or stem mounting

Controls

- Standard with 0-10V dimming driver (10% standard, 1% optional)
- Integrated WaveLinX sensor options provide wireless individual fixture control and enable code compliance, increased energy savings, grouping of fixtures, and connection to WaveLinX control systems
- DALI 2.0 and step-dimming available
- For motion control, reference sensor locations for both end and middle of the row applications

Electrical

- Long-life LED system with electrical driver for optimal performance
- LED's available in 3000K, 3500K, 4000K or 5000K with CRI of 80 standard or optional 90 CRI
- TM21 rating up to L87 >60,000 hours
- Electronic drivers available for 120-277V, 347V and 480V applications
- Operating temperature of -20°C up to 50°C (reference Ambient temperature chart)

Emergency Battery Pack Option

- Optional 120V-277V integral emergency battery pack available in 7W or 14W
- 90-minute backup period for code compliance
- Generator transfer options available

WNPS - WaveLinX Normal Power Sensing

- Normal Power Sensing (NPS) wireless beacon enabled luminaire that signals normal power is present
- Must be ordered with WaveLinX LITE or PRO sensor as part of a WaveLinX control system
- For UL924 compliance, WNPS enabled luminaires with standard product and compatible emergency control devices (ESP-P/ESP-L) must be installed in same application space

WEM - WaveLinX UL924 Emergency Sensor

- Emergency control devices (ESP-P/ESP-L) not required when WEM and WNPS luminaires are installed in the same application space
- For UL924 compliance, order WEM and WNPS luminaires in the same application space
- WEM must be ordered with WLS or WPS sensor as part of a WaveLinX control system

Reflector

- Specular or white material
- Offered in standard or high lumen models

Channel/Wireway Cover

- Die-formed heavy gauge steel
- Tight fit for ease of maintenance

Compliance

- cULus Listed for damp locations
- Complies with IESNA LM-79 and LM-80 standards
- State of California Title 24 high efficacy luminaire
- DesignLights Consortium® Qualified and classified for DLC Standard and DLC Premium (refer to www.designlights.org)
- Suitable for closet use when installed to NEC 410.16 spacings standards

Warranty

- Five year limited warranty

WaveLinX LITE devices are not currently compatible with the WaveLinX PRO Wireless Area Controller

CRI

Lumen multiplier (80CRI to 90CRI)			
3000K	3500K	4000K	5000K
0.805	0.840	0.846	0.901

Ambient Temperature

Length	Lumen Package	Standard	EM
2FT	18SL - 27SL	50°C	40°C
	30HL - 32HL	40°C	40°C
4FT	18SL - 54SL	50°C	40°C
	58SL - 72HL	40°C	40°C
8FT	57SL - 109SL	50°C	40°C
	120HL - 160HL	40°C	40°C

CCT Table

Approximate Color Temperature Multiplier	
2700K	.93
3000K	.98
3500K	1.0
4000K	1.02
5000K	1.02

Photometric Data

 [View IES files](#)

Control Solutions

- WaveLinX LITE wireless
- WaveLinX PRO wireless
- WaveLinX CAT wired
- WaveLinX DALI wired



Energy and Performance Data

SNLED Type	Lumen Type	Length	Catalog Number**	Nominal 3500K Lumens	Wattage	lm/W
Miro Reflector (RM)	Standard	2 ft.	2SNLED-LD5-19SL-RM-UNV-L8XX-CD1-U	1938	14	135.8
Miro Reflector (RM)	Standard	2 ft.	2SNLED-LD5-23SL-RM-UNV-L8XX-CD1-U	2393	18	132.2
Miro Reflector (RM)	Standard	2 ft.	2SNLED-LD5-27SL-RM-UNV-L8XX-CD1-U	2716	21	129.6
Miro Reflector (RM)	Standard	2 ft.	2SNLED-LD5-32HL-RM-UNV-L8XX-CD1-U	3274	27	123.2
Miro Reflector (RM)	Standard	4 ft.	4SNLED-LD5-19SL-RM-UNV-L8XX-CD1-U	1870	13	143.4
Miro Reflector (RM)	Standard	4 ft.	4SNLED-LD5-23SL-RM-UNV-L8XX-CD1-U	2318	16	144.8
Miro Reflector (RM)	Standard	4 ft.	4SNLED-LD5-27SL-RM-UNV-L8XX-CD1-U	2669	18	144.7
Miro Reflector (RM)	Standard	4 ft.	4SNLED-LD5-31SL-RM-UNV-L8XX-CD1-U	3043	21	143.8
Miro Reflector (RM)	Standard	4 ft.	4SNLED-LD5-35SL-RM-UNV-L8XX-CD1-U	3527	25	141.8
Miro Reflector (RM)	Standard	4 ft.	4SNLED-LD5-39SL-RM-UNV-L8XX-CD1-U	3880	28	140
Miro Reflector (RM)	Standard	4 ft.	4SNLED-LD5-42SL-RM-UNV-L8XX-CD1-U	4221	31	138.1
Miro Reflector (RM)	Standard	4 ft.	4SNLED-LD5-47SL-RM-UNV-L8XX-CD1-U	4666	35	135.2
Miro Reflector (RM)	Standard	4 ft.	4SNLED-LD5-50SL-RM-UNV-L8XX-CD1-U	4995	38	132.9
Miro Reflector (RM)	Standard	4 ft.	4SNLED-LD5-54SL-RM-UNV-L8XX-CD1-U	5417	41	131.8
Miro Reflector (RM)	Standard	4 ft.	4SNLED-LD5-58SL-RM-UNV-L8XX-CD1-U	5814	46	126
Miro Reflector (RM)	Standard	4 ft.	4SNLED-LD5-62SL-RM-UNV-L8XX-CD1-U	6287	52	121.7
Miro Reflector (RM)	Standard	4 ft.	4SNLED-LD5-65SL-RM-UNV-L8XX-CD1-U	6555	55	118.9
Miro Reflector (RM)	High	4 ft.	4SNLED-LD5-62HL-RM-UNV-L8XX-CD1-U	5533	43	128.3
Miro Reflector (RM)	High	4 ft.	4SNLED-LD5-72HL-RM-UNV-L8XX-CD1-U	7300	62	117.5
Miro Reflector (RM)	Standard	8 ft.	8TSNLED-LD5-62SL-RM-UNV-L8XX-CD1-U	6086	42	143.8
Miro Reflector (RM)	Standard	8 ft.	8TSNLED-LD5-70SL-RM-UNV-L8XX-CD1-U	7055	50	141.8
Miro Reflector (RM)	Standard	8 ft.	8TSNLED-LD5-78SL-RM-UNV-L8XX-CD1-U	7760	55	140
Miro Reflector (RM)	Standard	8 ft.	8TSNLED-LD5-85SL-RM-UNV-L8XX-CD1-U	8443	61	138.1
Miro Reflector (RM)	Standard	8 ft.	8TSNLED-LD5-95SL-RM-UNV-L8XX-CD1-U	9332	69	135.2
Miro Reflector (RM)	Standard	8 ft.	8TSNLED-LD5-101SL-RM-UNV-L8XX-CD1-U	9989	75	132.9
Miro Reflector (RM)	Standard	8 ft.	8TSNLED-LD5-109SL-RM-UNV-L8XX-CD1-U	10834	82	131.8
Miro Reflector (RM)	High	8 ft.	8TSNLED-LD5-120HL-RM-UNV-L8XX-CD1-U	11629	92	126
Miro Reflector (RM)	High	8 ft.	8TSNLED-LD5-160HL-RM-UNV-L8XX-CD2-U	14599	124	117.5

* Stocked in either 3500K or 4000K. Reflector ships separate from striplight.
 ** Lumen portion of catalog number may not match actual lumens.

Energy and Performance Data

SNLED Type	Lumen Type	Length	Catalog Number**	Nominal 3500K Lumens	Wattage	lm/W
White Reflector (RW)	Standard	2 ft.	2SNLED-LD5-18SL-RW-UNV-L8XX-CD1-U	1922	14	134.7
White Reflector (RW)	Standard	2 ft.	2SNLED-LD5-21SL-RW-UNV-L8XX-CD1-U	2373	18	131.1
White Reflector (RW)	Standard	2 ft.	2SNLED-LD5-25SL-RW-UNV-L8XX-CD1-U	2693	21	128.5
White Reflector (RW)	Standard	2 ft.	2SNLED-LD5-30HL-RW-UNV-L8XX-CD1-U	3033	27	114.2
White Reflector (RW)	Standard	4 ft.	4SNLED-LD5-18SL-RW-UNV-L8XX-CD1-U	1854	13	142.2
White Reflector (RW)	Standard	4 ft.	4SNLED-LD5-21SL-RW-UNV-L8XX-CD1-U	2298	16	143.6
White Reflector (RW)	Standard	4 ft.	4SNLED-LD5-25SL-RW-UNV-L8XX-CD1-U	2646	18	143.5
White Reflector (RW)	Standard	4 ft.	4SNLED-LD5-28SL-RW-UNV-L8XX-CD1-U	3017	21	142.6
White Reflector (RW)	Standard	4 ft.	4SNLED-LD5-32SL-RW-UNV-L8XX-CD1-U	3498	25	140.6
White Reflector (RW)	Standard	4 ft.	4SNLED-LD5-36SL-RW-UNV-L8XX-CD1-U	3847	28	138.9
White Reflector (RW)	Standard	4 ft.	4SNLED-LD5-39SL-RW-UNV-L8XX-CD1-U	4186	31	136.9
White Reflector (RW)	Standard	4 ft.	4SNLED-LD5-43SL-RW-UNV-L8XX-CD1-U	4627	35	134.1
White Reflector (RW)	Standard	4 ft.	4SNLED-LD5-46SL-RW-UNV-L8XX-CD1-U	4953	38	131.7
White Reflector (RW)	Standard	4 ft.	4SNLED-LD5-50SL-RW-UNV-L8XX-CD1-U	5371	41	130.7
White Reflector (RW)	Standard	4 ft.	4SNLED-LD5-54SL-RW-UNV-L8XX-CD1-U	5765	46	125
White Reflector (RW)	Standard	4 ft.	4SNLED-LD5-62SL-RW-UNV-L8XX-CD1-U	6234	52	120.7
White Reflector (RW)	Standard	4 ft.	4SNLED-LD5-64SL-RW-UNV-L8XX-CD1-U	6500	55	117.9
White Reflector (RW)	High	4 ft.	4SNLED-LD5-57HL-RW-UNV-L8XX-CD1-U	5127	43	118.9
White Reflector (RW)	High	4 ft.	4SNLED-LD5-67HL-RW-UNV-L8XX-CD1-U	6763	62	108.8
White Reflector (RW)	Standard	8 ft.	8TSNLED-LD5-57SL-RW-UNV-L8XX-CD1-U	6035	42	142.6
White Reflector (RW)	Standard	8 ft.	8TSNLED-LD5-64SL-RW-UNV-L8XX-CD1-U	6995	50	140.6
White Reflector (RW)	Standard	8 ft.	8TSNLED-LD5-72SL-RW-UNV-L8XX-CD1-U	7695	55	138.9
White Reflector (RW)	Standard	8 ft.	8TSNLED-LD5-79SL-RW-UNV-L8XX-CD1-U	8372	61	136.9
White Reflector (RW)	Standard	8 ft.	8TSNLED-LD5-86SL-RW-UNV-L8XX-CD1-U	9253	69	134.1
White Reflector (RW)	Standard	8 ft.	8TSNLED-LD5-93SL-RW-UNV-L8XX-CD1-U	9905	75	131.7
White Reflector (RW)	Standard	8 ft.	8TSNLED-LD5-101SL-RW-UNV-L8XX-CD1-U	10743	82	130.7
White Reflector (RW)	High	8 ft.	8TSNLED-LD5-120HL-RW-UNV-L8XX-CD1-U	11531	92	125
White Reflector (RW)	High	8 ft.	8TSNLED-LD5-160HL-RW-UNV-L8XX-CD2-U	13527	124	108.8

* Stocked in either 3500K or 4000K. Reflector ships separate from striplight.

** Lumen portion of catalog number may not match actual lumens.

Dimensional and Mounting Details

