

Installation Instructions – Define Gen 2 GYP/FSR S122-S125

⚠ WARNING

RISK OF ELECTRIC SHOCK—Disconnect power at fuse or circuit breaker before installing or servicing.

NOTE: This product must be installed in accordance with the applicable installation code by a electrician familiar with the construction and operation of the product and hazards involved.

⚠ WARNING

Risk of fire/electric shock. If not qualified, consult an electrician.

NOTE: Only those open holes indicated in the photographs and/or drawings may be made or altered as a result of kit installation. Do not leave any other open holes in an enclosure of wiring or electrical components.

⚠ WARNING

Risk of fire or electric shock. Fixture wiring, driver, or other electrical parts may be damaged during installation. Check enclosed wiring and components.






NOTE: To prevent wiring damage or abrasion, do not expose wiring to edges of sheet metal or any sharp objects.









⚠ WARNING

RISK OF PERSONAL INJURY - Fixture may become damaged and/or unstable if not installed properly.

NOTE: Disconnect all power before proceeding.

Wiring Table

Power Supply (Input)	
	Black (BK) - Hot
	White (WT) - Neutral
	Green (GN) - Ground
	Violet (VT) - Dimming (+)
	Pink (PK) - Dimming (-)

Power Supply (Input) - When Applicable	
	Black/Red (BK/RD) - Emergency Hot
	White/Red (WT/RD) - Emergency Neutral
	Black/Orange (BK/OR) - 2nd Circuit Hot
	White/Orange (WT/OR) - 2nd Circuit Neutral
	Orange (OR) - 2nd Circuit Dimming (+)
	Yellow (YL) - 2nd Circuit Dimming (-)
	Blue (BL) - Battery/Emergency Unswitched Hot
Vivid Tune / BioUp	
	Violet/White (VT/WT) - 1st Circuit CCT (+)
	Pink/Black (PK/BK) - 1st Circuit CCT (-)

Installation Instructions

Define Series (2" - 5" Housing Size)

Individual and Continuous Luminaires
For Installation in Gypsum Ceilings

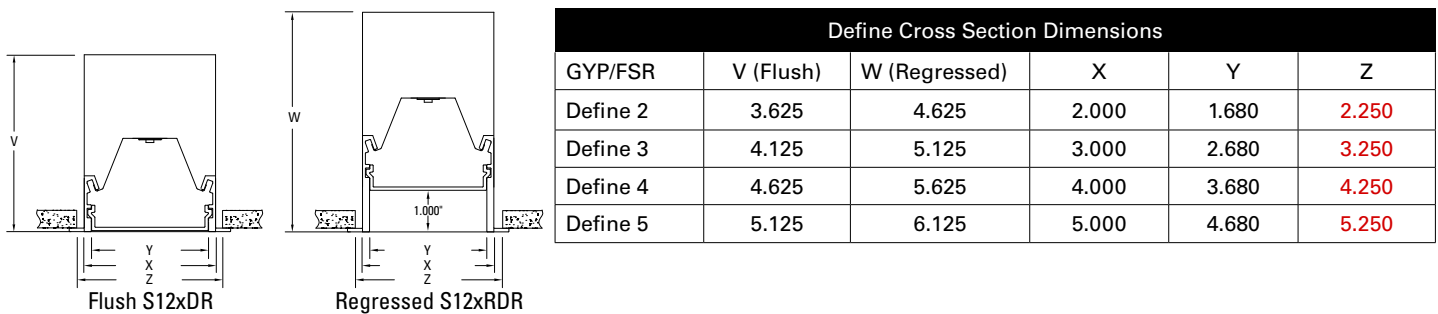


Before starting any work, ensure that all power sources are turned off. All work must meet local/national electrical codes and be performed by a certified electrician.

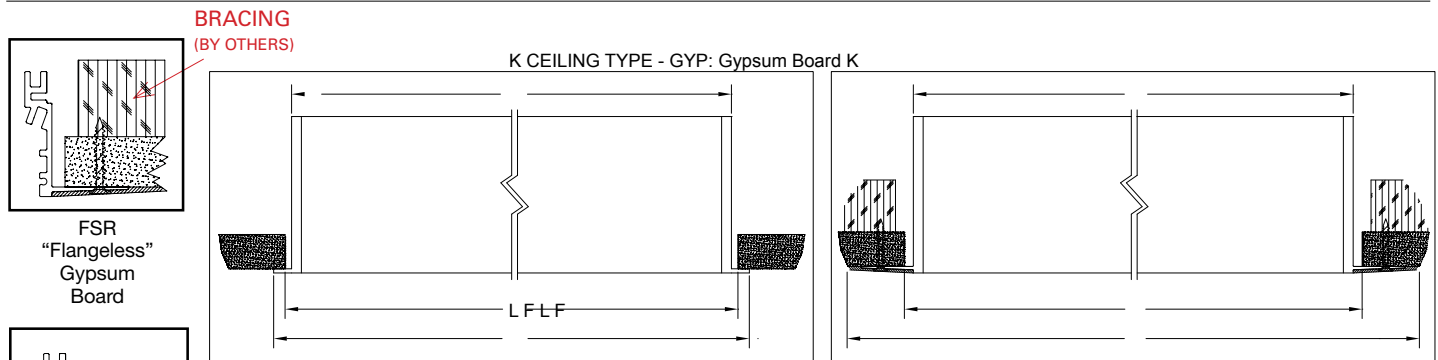
Parts List

- Luminaire
- Grid Bracket/Joiner (pre-installed in fixture)
- Access Plate (pre-installed in housing)
- Support Wire/Threaded Rod (by others)
- Shielded Cable (by others)
- Push-in Quick Connects or Wire Nuts (pre-installed)
- Alignment Pins (pre-installed) (Continuous runs only)
- #8-18 3/4" T10 Torx Head Screws (Continuous runs only)
- 9/64" Allen Wrench (by others)
- 11/32" Flexible Nut Driver (by others)
- T10 Torx Driver (by others, continuous runs only)
- #2 Phillips Screwdriver (by others)
- Lens Removal Tool

Cross Section and Spacing Details

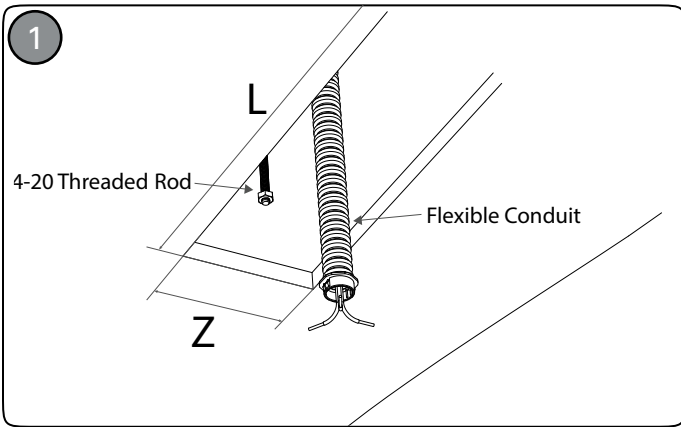


Mounting Information - Extruded Trim Flange and Length Details - Refer to submittal drawings for detailed flange information

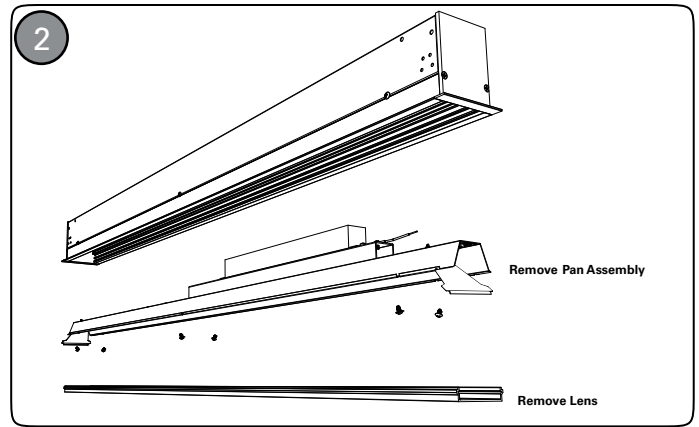


GYP Length				FSR Length			
Order Code	K - Body	L - Cutout	F - Flange to Flange	Order Code	K - Body	L - Cutout	F - Flange to Flange
2F0	23.000	23.250	23.688	2F0	23.000	23.250	25.000
3F0	35.000	35.250	35.688	3F0	35.000	35.250	37.000
4F0	47.000	47.250	47.688	4F0	47.000	47.250	49.000
5F0	59.000	59.250	59.688	5F0	59.000	59.250	61.000
6F0	71.000	71.250	71.688	6F0	71.000	71.250	73.000
7F0	83.000	83.250	83.688	7F0	83.000	83.250	85.000
8F0	95.000	95.250	95.688	8F0	95.000	95.250	97.000
9F0	107.000	107.250	107.688	9F0	107.000	107.250	109.000
10F0	119.000	119.250	119.688	10F0	119.000	119.250	121.000
11F0	131.000	131.250	131.688	11F0	131.000	131.250	133.000
12F0	143.000	143.250	143.688	12F0	143.000	143.250	145.000
xxxx	xxxx - 1.000	xxxx - 0.750	xxxx - 0.312	xxxx	xxxx - 1.000	xxxx - 0.750	xxxx + 1.000

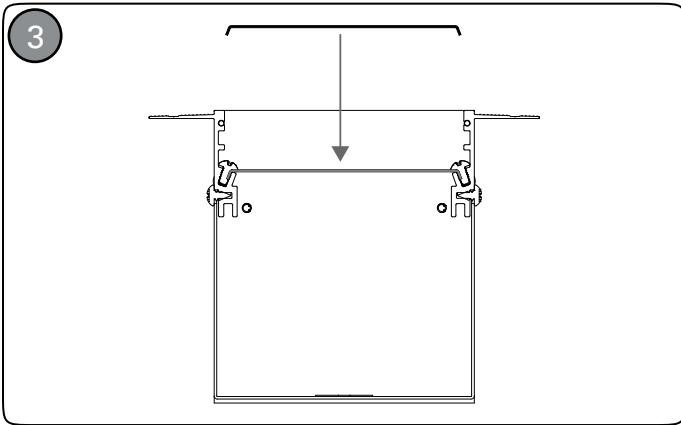
Note: Order Code is the nominal length selected in the Define Catalog Logic (e.g. 0048) - Actual dimensions and cutout length varies as shown in the GYP & FSR Length Table.



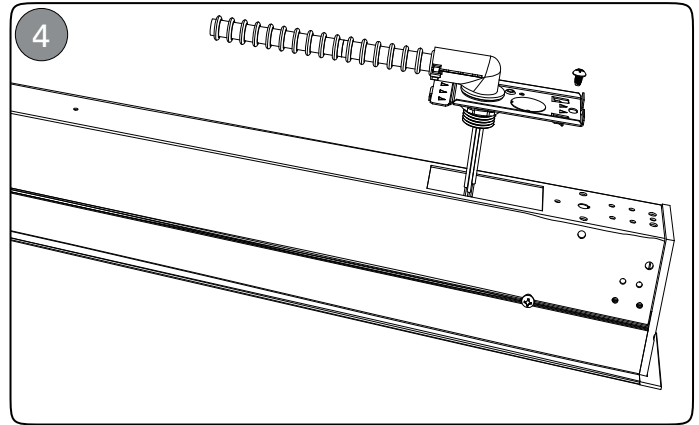
Prior to drywall installation: Install shielded cable to accommodate electrical feed point on first fixture. Install 1/4-20 tie rods in specified locations as shown on factory submittal drawings. Cut hole in gypsum board (or other substrate) as specified on factory submittal drawing (dimensions "Z" & "L"). NOTE: FSR requires bracing around opening to secure flange. Follow local building code.



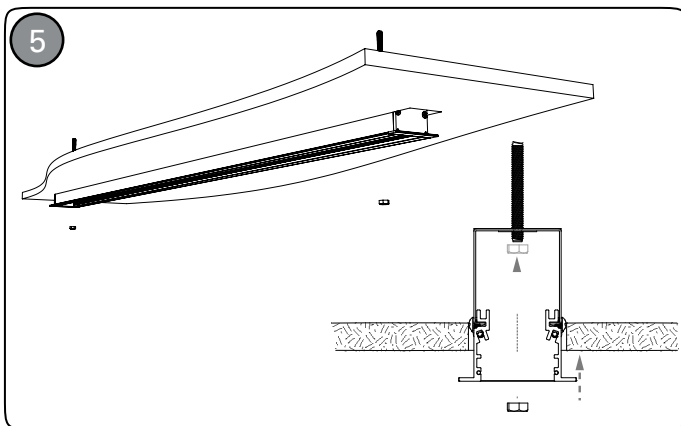
Prior to installing fixture: Remove top access plate. Turn fixture over and remove lens using lens removal tool per lens instruction provided. Remove screws and carefully lift LED tray assembly from housing frame. Disconnect wire-harness quick connects and store pan assembly in a safe place. Lens diffusers do not need to be removed from pan assembly. Repeat for each LED Tray.



Remove 1/4" knockouts to line up with threaded rods. FOR FSR ONLY: Using (2) 8-32 screws from the LED tray assembly, install aperture guide snugly to ensure housing opening does not open or close during installation. NOTE: This will be removed prior to reinstalling the lens.

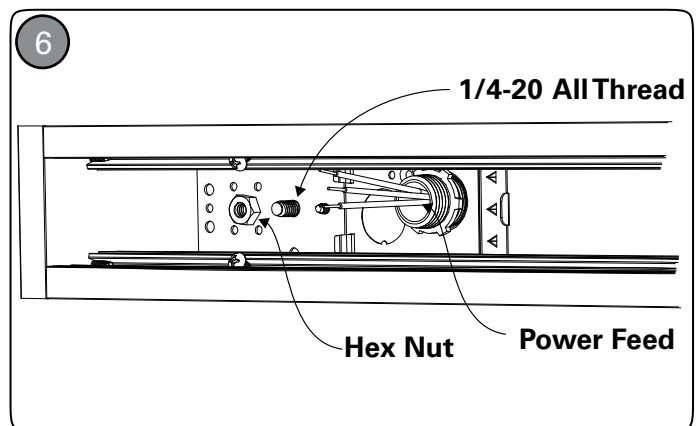


Secure shielded cable to access plate. Reinstall access plate pulling wiring through housing and lift fixture into cutout.

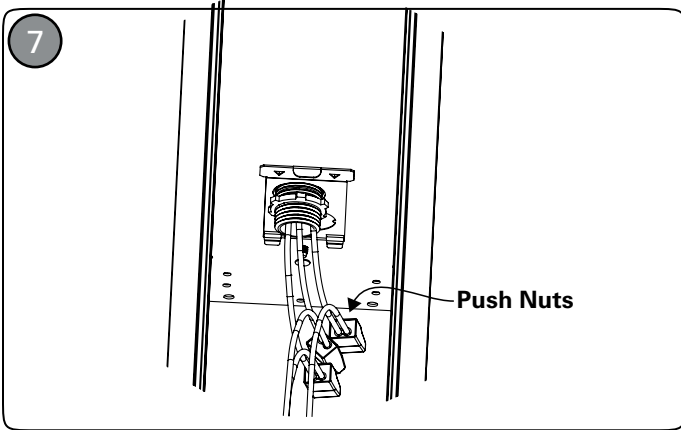


Draw fixture tight to ceiling using 1/4" tie rods through the appropriate knockouts on fixture housing. Tighten nuts until flange is snug with ceiling.

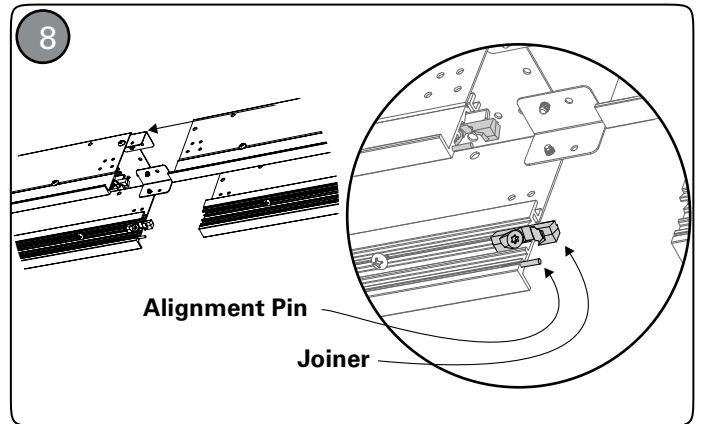
NOTE: FSR must be secured with tie-rod.



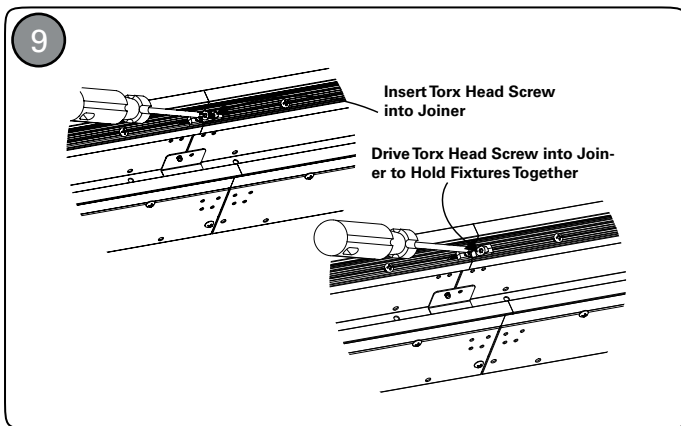
Wiring should enter fixture housing as shown. Tie rods extend into housing and are secured with nuts. Ensure threaded rod does not interfere with LED tray assembly. Trim threaded rod if necessary.



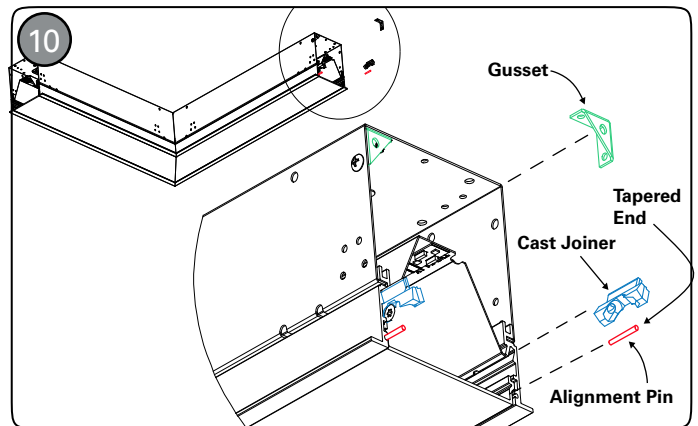
Connect feed wiring to fixture through wiring via push-in quick connects or wire nuts.



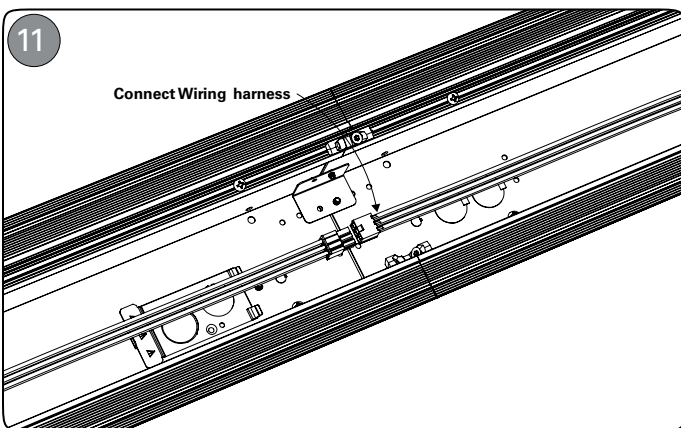
FOR CONTINUOUS ROWS: Repeat step 2 (and 3 for FSR) to prepare fixture. Slide fixtures together ensuring alignment pins are in the correct position.



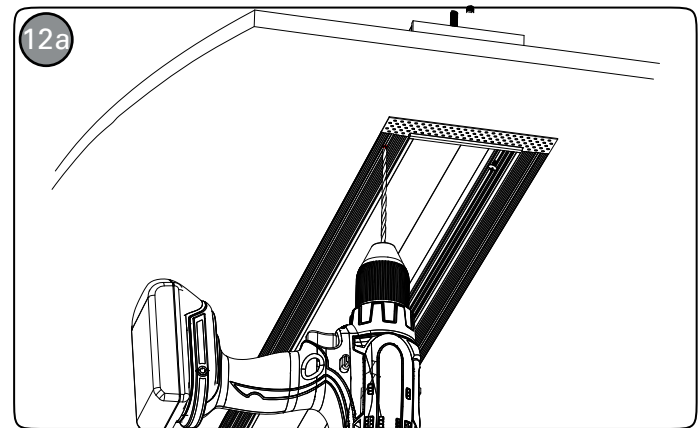
FOR CONTINUOUS ROWS: Insert torx head into joiner and drive screw into housing to hold fixtures together. Ensure there are no gaps between fixtures and joint is secure.

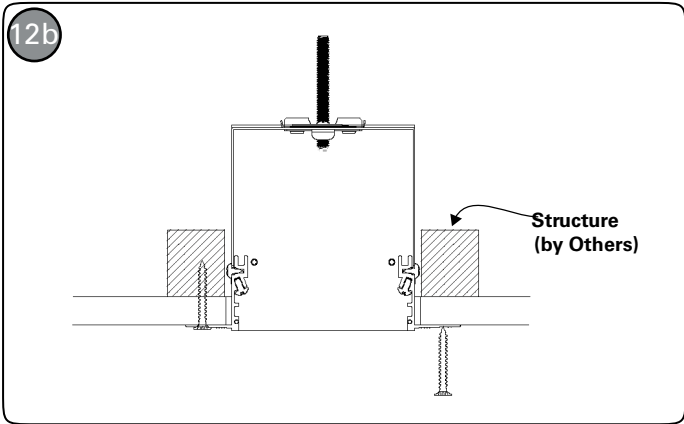


FOR CORNER INSTALLATION: Prepare corner unit for installation. Identify power feed side (end toward Beginning of Run). Prep wires on power feed side for connection to previous section in the run / pattern. Add Joining Hardware. Install alignment pins with tapered side facing outward. Install gussets with provided screws. Install cast joiner brackets using provided screw. Note that for sections with a corner at each end, it may be necessary to install the alignment pins on the last fixture such that there is only 1/8" of the pin exposed or by removing the pins entirely.

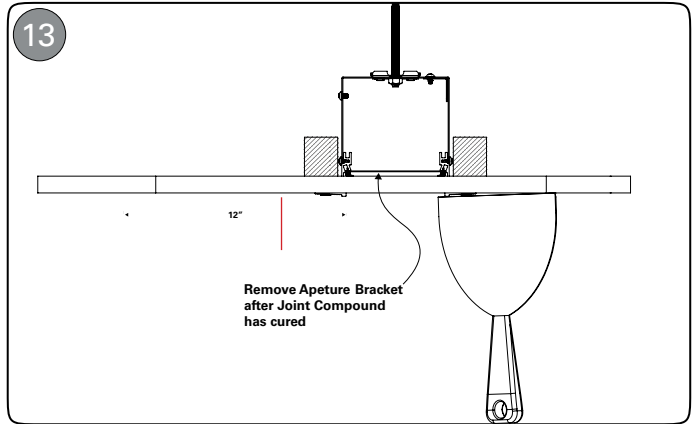


Make appropriate wire connections between fixture housings using provided push in connectors.

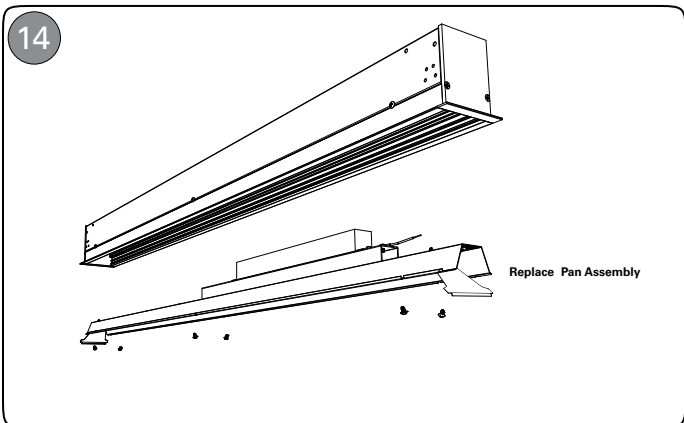




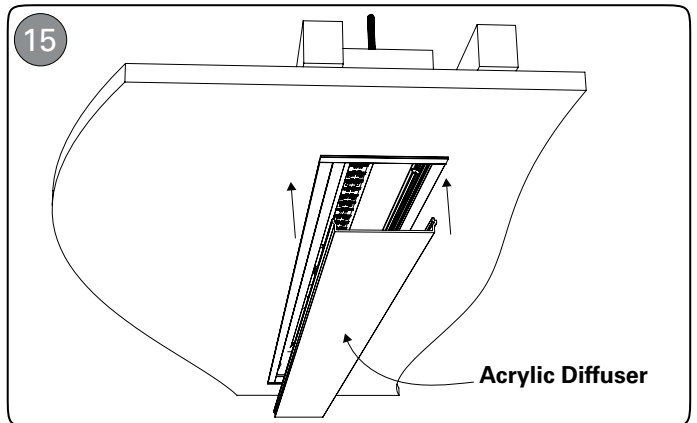
FOR FSR ONLY: Drive screws (provided by others) through fixture flange into structure as shown. Size and length of screws determined by local building code.



FOR FSR ONLY: Apply a generous amount of joint compound to fixture flange and "feather" at least 12" from fixture aperture. Ensure compound has properly cured before removing aperture bracket.



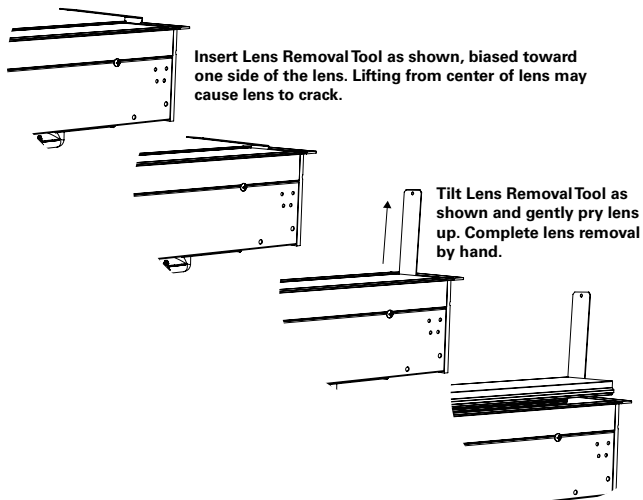
With fixture securely secured in opening, reconnect the first tray assembly to the power feed. Carefully tuck all wiring back into fixture. Reinstall screws to secure tray assembly back into housing. Continue reinstalling additional LED tray assemblies in the same manner using the quick disconnects pre-installed on the LED tray.



Reinstall acrylic diffuser by squeezing one end, inserting that end into the fixture opening and slowly pressing the diffuser into the housing along the length of the lens until it snaps into place. For continuous runs, ensure seams of adjacent lenses are touching to avoid light leak. Diffuser film should not require re-installation, however, if required, insert tabs into the slots of the LED tray assembly with the shiny side facing toward the LED array.

Installation is complete.

Lens Removal



Warranties and Limitation of Liability

Please refer to www.cooperlighting.com for our terms and conditions.

Garanties et limitation de responsabilité

Veuillez consulter le site www.cooperlighting.com pour obtenir les conditions générales.

Garantías y Limitación de Responsabilidad

Visite www.cooperlighting.com para conocer nuestros términos y condiciones.



Cooper Lighting Solutions
1121 Highway 74 South
Peachtree City, GA 30269
P: 770-486-4800 www.cooperlighting.com

© 2025 Cooper Lighting Solutions
All Rights Reserved
Printed in USA
Imprimé aux États-Unis
Impreso en los EE. UU.
Publication No. IL519027EN
June 13, 2025

Cooper Lighting Solutions is a registered trademark. All trademarks are property of their respective owners.

Cooper Lighting Solutions est une marque de commerce déposée. Toutes les autres marques de commerce sont la propriété de leur propriétaire respectif.

Cooper Lighting Solutions es una marca comercial registrada. Todas las marcas comerciales son propiedad de sus respectivos propietarios.

Product availability, specifications, and compliances are subject to change without notice

La disponibilité du produit, les spécifications et les conformités peuvent être modifiées sans préavis

La disponibilidad de productos, las especificaciones y los cumplimientos están sujetos a cambio sin previo aviso