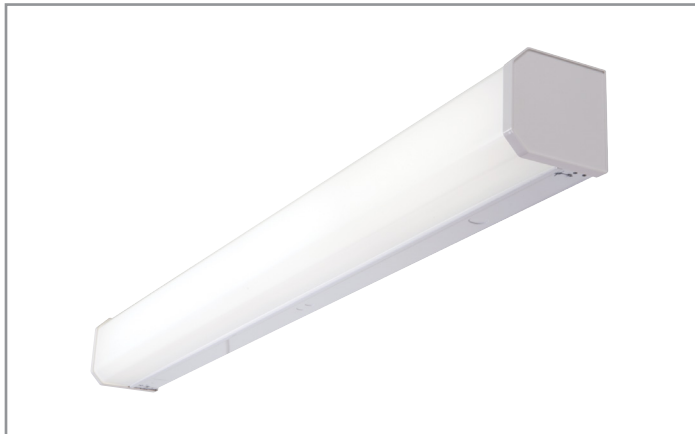


<b>Project</b>		<b>Catalog #</b>		<b>Type</b>	
<b>Prepared by</b>		<b>Notes</b>		<b>Date</b>	



# Metalux

## BCLED

### Wall Bracket LED

**Typical Applications**  
General purpose lighting

#### Interactive Menu

- Order Information [page 2](#)
- Photometric Data [page 3](#)
- Product Warranty

#### Product Certification



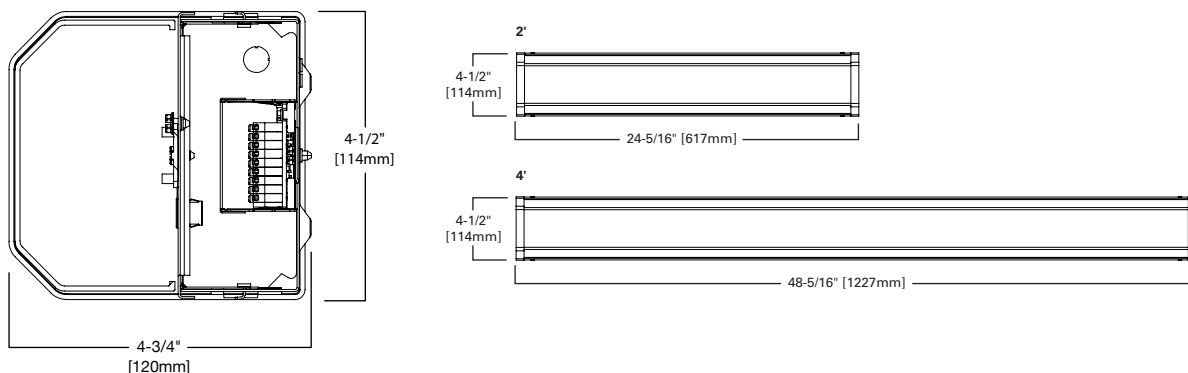
#### Product Features



#### Top Product Features

- Twelve unique lumen packages
- Full frost lens for ideal LED aesthetics
- Four correlated color temperatures (3000K, 3500K, 4000K and 5000K)
- Typical 85 plus CRI
- Class 2, 24V DC constant driver with standard 0-10V dimming
- Options to meet Trade Agreements Act requirements

#### Dimensional and Mounting Details



## Order Information

SAMPLE ORDER NUMBER: **4BCLED-LD4-40SL-F-UNV-L835-CD1-U**

Domestic Preferences <sup>(1)</sup>	Rating	Width	Series	Lamp Type	Lumen Output <sup>(2)</sup>	Shielding	Voltage <sup>(5)</sup>	Options
<b>[Blank]</b> =Standard <b>TAA</b> =Trade Agreements Act	<b>[Blank]</b> =Standard	2=2 ft. Width 4=4 ft. Width	<b>BCLED</b> =LED Wall Bracket	<b>LD4</b> =LED 4.0	<b>8SL</b> =900 <sup>(3)</sup> <b>32SL</b> =3200 <b>16SL</b> =1600 <sup>(3)</sup> <b>36SL</b> =3600 <b>20SL</b> =2000 <b>40SL</b> =4000 <b>24HL</b> =2400 <sup>(3)</sup> <b>44HL</b> =4400 <b>28HL</b> =2800 <sup>(3)</sup> <b>48HL</b> =4800 <b>28SL</b> =2800 <sup>(4)</sup>	<b>F</b> =Frost Acrylic (standard)	<b>347V</b> =347 Volt <b>480V</b> =480 Volt <b>UNV</b> =Universal Voltage 120-277 <sup>(6)</sup> <b>UNC</b> =Universal Voltage 347/480 <sup>(7)</sup>	<b>GL</b> =Single Element Fuse <b>DL</b> =Double Element Fuse
<b>Notes</b> (1) Only product configurations with this designated prefix are built to be compliant with the Trade Agreements Act of 1979 (TAA). Please refer to <a href="#">DOMESTIC PREFERENCES</a> website for more information. Components shipped separately may be separately analyzed under domestic preference requirements.					<b>Notes</b> (2) Nominal lumen output. (3) 2 ft. model. (4) Only available in 4 ft. models.			<b>Notes</b> (5) Products also available in non-US voltages and frequencies for international market. (6) Not available when specifying emergencies, voltage must be specific. (7) Only available in 4 ft. models.

Emergency	CCT	Driver Type	Number of Drivers	Options	Packaging
<b>EL7W</b> =7-watt, 120V-277V Emergency Battery Pack Installed <sup>(8),(9)</sup> <b>EL14W</b> =14-watt 120V-277V Emergency Battery Pack Installed <sup>(8),(9)</sup> <b>ETRD</b> = 120-277V Emergency Transfer Relay with Dimming Control <sup>(10)</sup>	<b>L830</b> =3000K <b>L835</b> =3500K <b>L840</b> =4000K <b>L850</b> =5000K	<b>CD</b> =0-10V Dimming Driver <b>SD</b> =Step-dim (Bi Level) <sup>(11),(12)</sup> <b>5LTD</b> =Fifth Light (DALI) Driver <sup>(11),(12)</sup>	1=1 Driver	<b>CO</b> =Convenience Outlet (120V only) <b>PS1</b> =Pull Switch (1 Circuit)	<b>U</b> =Unit Pack
<b>Notes</b> (8) With integral test switch/indicator/laser test. For approximate delivered lumens multiply the lumens per watt of the desired fixture by the wattage of the emergency battery pack (100 lm/W x 7=700 lumens). IES-format photometry for luminaire under emergency operation available. (9) No integral emergency for 2 ft. models. (10) Used to bypass local control during outage. Must be used in conjunction with UL 1008 device (provided by others). ETRD option requires one relay when used on a dimming fixture.		<b>Notes</b> (11) Only available in 4 ft. models. (12) Step dim and DALI only available in 3600, 4000, 4400 and 4800 lumen packages.			

Accessories <sup>(13)</sup>
<b>AYC-Chain/Set</b> =36" Chain Hanger (Use 1 Set Per Fixture) <b>SCF</b> =Fixed Stem Set (Specify Length) <b>SCS</b> =Swivel Stem Set (Specify Length) <b>SCA</b> =Adjustable 48" Stem Set <b>A1B/Spacer-U</b> =Spacer 1-1/2" to 2-1/2" from ceiling (Use 2 per fixture)
<b>Notes</b> (13) Accessories sold separately will be separately analyzed under domestic preference requirements. Consult factory for further information.

## Product Specifications

### Construction

- Housing consists of die formed cold rolled steel with decorative white opaque injection molded end plates
- Reflector/channel wireway cover secured by fasteners for easy wireway access
- Channel back has numerous KO's for easy installation

### Controls

- Equipped standard with a 0-10V continuous dimming driver that works with any standard 0-10V control/dimmer
- Dimming range is 10% to 100%; varies by control device
- Combine with energy saving products like occupancy sensors, day lighting controls, and lighting relay panels to maximize energy savings

### Electrical

- Long-Life LED system coupled with electrical driver to deliver optimal performance
- LED's available in 3000K, 3500K or 4000K with a typical CRI 85
- Projected life is 60,000 hours at 70% lumen output. Electronic drivers are available for 120-277V applications.
- A 0-10V dimming driver is standard

### Emergency Battery Pack Option

- Optional 120V-277V integral emergency battery pack is available in 7-watts or 14-watts to meet critical life-safety lighting requirements
- The 90-minute batteries provide constant power to the LED system, ensuring code-compliance
- A test switch/indicator button can be tested safely from the ground using a laser pointer, while the patented EZ Key prevents accidental discharge of the battery during construction
- Emergency/generator transfer relay with dimming control capability available

### Finish

- Highly reflective post painted finish (PAF) standard offering customers the optimal finish and handling
- Additionally, each housing is treated with multistage iron phosphate pretreatment, ensuring maximum bonding and rust inhibitor

### Shielding

- Specially developed LED lens blend allows this product series to offer optimal light out and providing smooth even illumination with no pixilation
- Lenses are designed from smooth opal white acrylic and provide 180° uniform light distribution (Uplight, Frontal & Downlight)
- Lens is securely held in place by removable decorative injection molded white end plates that can be easily removed for installation and maintenance

### Installation

- Fixture may be surface (wall or ceiling) and suspended mounted
- See accessories below for ordering information

### Compliance

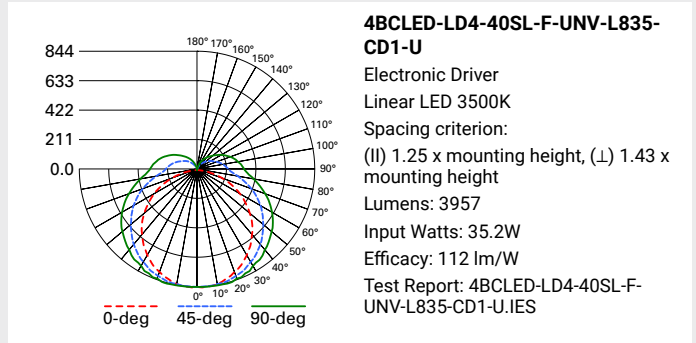
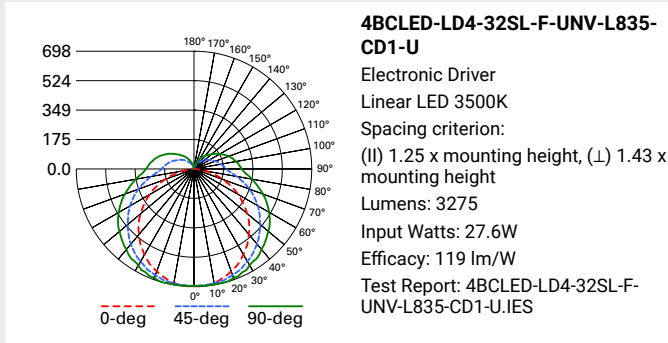
- Modules are UL recognized components and indoor luminaires are cULus listed for up to 40°C ambient environments, RoHS compliant, and LED modules comply with IESNA LM-79 and LM-80 standards.
- Suitable for use in clothes closets when installed in accordance with the NEC 410.16 spacing requirements
- DesignLights Consortium® Qualified and classified for both DLC Standard and DLC Premium, refer to [www.designlights.org](http://www.designlights.org) for details.

### Product Warranty

- 5-year limited warranty

## Photometric Data

[View IES files](#)



## Energy and Performance Data

Length	Catalog	Calculated Lumens	Wattage	LPW
2 ft.	2BCLED-LD4-8SL-F-UNV-L8XX-CD1-U	919	7.3	127
2 ft.	2BCLED-LD4-16SL-F-UNV-L8XX-CD1-U	1567	12.9	122
2 ft.	2BCLED-LD4-20SL-F-UNV-L8XX-CD1-U	1976	17.1	115
2 ft.	2BCLED-LD4-24HL-F-UNV-L8XX-CD1-U	2490	20.4	122
2 ft.	2BCLED-LD4-28HL-F-UNV-L8XX-CD1-U	2824	23.5	120
4 ft.	4BCLED-LD4-20SL-F-UNV-L8XX-CD1-U	2180	17.0	128
4 ft.	4BCLED-LD4-28SL-F-UNV-L8XX-CD1-U	2874	23.6	122
4 ft.	4BCLED-LD4-32SL-F-UNV-L8XX-CD1-U	3275	27.6	119
4 ft.	4BCLED-LD4-36SL-F-UNV-L8XX-CD1-U	3604	31.2	116
4 ft.	4BCLED-LD4-40SL-F-UNV-L8XX-CD1-U	3957	35.2	112
4 ft.	4BCLED-LD4-44HL-F-UNV-L8XX-CD1-U	4551	35.8	127
4 ft.	4BCLED-LD4-48HL-F-UNV-L8XX-CD1-U	5025	40.3	125