

Project		Catalog #		Type	
Prepared by		Notes		Date	



Metalux

14FPX LED Panel

1' x 4' Configurable LED Edge Lit Panel
Recessed in Insulated Ceilings or
Suspended/Surface Mount

Typical Applications

- Commercial Office Spaces • Schools • Healthcare
- Retail Merchandising Areas

Product Certification



Product Features



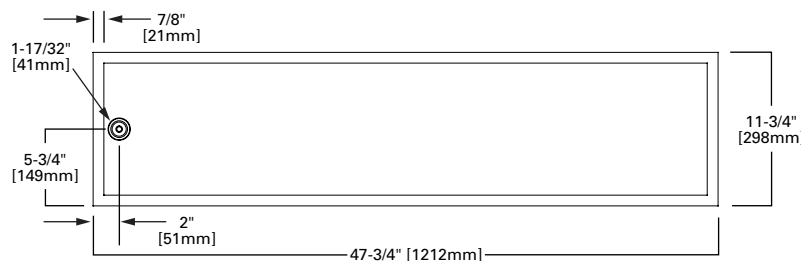
Interactive Menu

- Order Information [page 2](#)
- Photometric Data [page 4](#)
- Control Systems [page 5](#)
- Product Warranty

Top Product Features

- Variety of controls and emergency battery pack options in all sizes
- Low profile perfect for renovation or new construction
- Contractor friendly, quick and easy install
- Available in 3000K, 3500K, 4000K, and 5000K CCT
- Standard and high efficacy options available
- Options to meet Trade Agreements Act requirements

Dimensional and Mounting Details



Shown with either Sensor
OR Integrated Emergency
test switch.
For units with both
Emergency and Sensor
there is one holder on
each end.

[additional product diagrams](#)

Order Information

SAMPLE ORDER NUMBER: **14FPX-26-L840-HE-WLS**

Domestic Preferences ⁽¹⁾	Rating	Width/Length	Series	LED Lumen Output ⁽³⁾	Voltage ⁽⁵⁾	Fuse Options	Emergency	CCT
[Blank] =Standard TAA =Trade Agreements Act	[Blank] =Standard ATW-SW4 =Chicago Rated ⁽²⁾	14=1'x 4'	FPX=Configurable Flat Panel	26=2600 30=3000 ⁽⁴⁾ 42=4200	[Blank] =Universal Voltage 347V=347 Volt ⁽⁶⁾	[Blank] =None GL=Single Element Fuse GM=Double Element Fuse	[Blank] =None EL7W=7-watt 120V-277V emergency battery pack ⁽⁸⁾ EL10W=10-watt 120V-277V emergency battery pack ⁽⁸⁾ EL14W=14-watt 120V-277V emergency battery pack ⁽⁸⁾ EL10WSD=10W emergency battery pack with self-diagnostic installed ^{(8),(11)} ETRD=Emergency Transfer Relay with dimming control ^{(8),(10)} WNPS=WaveLinX wireless Normal Power Sensing (NPS) capable device ⁽¹⁹⁾	L830=3000K ⁽¹²⁾ L835=3500K L840=4000K L850=5000K
Notes (1) Only product configurations with this designated prefix are built to be compliant with the Trade Agreements Act of 1979 (TAA). Please refer to DOMESTIC PREFERENCES website for more information. Components shipped separately may be separately analyzed under domestic preference requirements. Accessories sold separately will be separately analyzed under domestic preference requirements. Consult factory for further information.	Notes (2) No sensor or installed FLEX options available with ATW-SW4 option.			Notes (3) Lumens are approximate. Use IES files for actual performance. (4) 3000 lumens only available in HE.	Notes (5) Products also available in non-US voltages and frequencies for international markets. (6) 347V with sensor and/or emergencies only available with HCD or SR.	Notes (7) Not available with the CD driver option.	Notes (8) Factory installed with integral test switch/indicator/laser test. For approximate delivered lumens multiply the lumens per watt of the desired fixture by the wattage of the emergency battery pack (100 lm/W x 7=700 lumens). IES-format photometry for luminaire under emergency operation available. Battery option increases total height by 1 inch. (9) Used to bypass local control during outage. Must be used in conjunction with UL 1008 device (provided by others). ETRD option only requires one relay when used on a dimming fixture. 347 not available. (10) These options are only available with HCD and CD drivers. (11) EL10WSD not available with 347V. (19) Must be ordered with WLS or WPS sensor. WNPS cannot be ordered with emergency or relay options such as ETRD, GTR2, ELxxx or GTDU.	Notes (12) 3000K only available 26 and 42 lumen options.

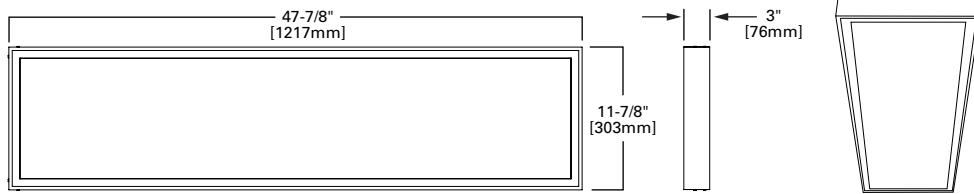
Efficacy	Flex ⁽¹⁴⁾	Driver Type	Number of Drivers
[Blank] =Standard HE =High ⁽¹³⁾	[Blank] =None A3/8-4/18GDIM=Flex pre-installed with 5 conductors including ground and dimming leads A3/8-5/18GDIM=Flex with 0-10V Dimming leads and Blue for alternate wiring. See below for details.	[Blank] =CD HCD=0-10V Driver (1%-100% Dimming) 5LTD=DALI Driver (5%-100% Dimming) 5LTHD=DALI Driver (1%-100% Dimming) SD=Step Dimming Driver (50% or 100% Dimming) LH=Lutron HiLume (LDE1 series) 1%-100% EcoSystem Driver with Soft-on Fade to Black dimming ⁽⁷⁾ SR=Sensor-ready Driver (1%-100% Dimming)	[Blank] =1 Driver
Notes (13) 3000 lumens only available in HE.	Notes (14) Multiple options available in online configurator. See additional notes on Flex below. Flexible Metal Conduit Options Flex options available for 0-10V dimming control, DALI dimming control, emergency and night light functions. 72-inch factory-installed and pre-wired to driver, fitted to luminaire housing access plate with 90° enclosed FMC connector. Not all options may be combined and installation ratings vary by type. A3/8-4/18GDIM series notes: Factory installed dimming option 3/8" flexible metal conduit with 2-#18 power and ground wires and 2-#18 UL-listed jacketed 0-10V +/- control wires. Meets UL 66, 83, 1479, 1569, 1581, 2556. NEC@ 250, 118, 300, 22(C), 392, 396, 330, 501, 502, 503, 530, 504, 505, 518, 520, 530, 645, 72; Federal Specification A-A-59544 (formerly J-C-308); all applicable OSHA and HUD Requirements. UL Classified 1-, 2-, and 3-hour through penetration with applicable fire stop product (not included). May be surface mounted, fished and/or embedded in plaster. Cable tray and approved raceway rated, install per NEC®; Environmental Air-Handling Space Installation per NEC® 300.22(C).	Notes Integrated options must be used in conjunction with the associated system and may not be compatible with other options or accessories. Please refer to the following: (F) Consult Marketplace Options - Lutron system pages for additional details and compatibility. Compatible only with driver series shown, and may require two or more drivers. Requires field commissioning to operate or dim. Contact Lutron at www.lutron.com	

Integrated Sensing Systems ⁽¹⁵⁾	Options	Packaging
[Blank] =No Sensor WLS (formerly WAB)=WaveLinX LITE Wireless Sensor, Occupancy w/ photocell, Independent & Networked ^{(17),(8)} WPS (formerly WAA)=WaveLinX PRO Wireless Sensor, Occupancy w/ photocell, Networked ^{(16),(A)} WLN=WaveLinX LITE Wireless Control Node, without sensor ^{(17),(8)} WPN=WaveLinX PRO Wireless Control Node, without sensor ^{(16),(A)}	[Blank] =None SUS=Suspension Mount ⁽¹⁸⁾	[Blank] =Unit Pack PAL=Job Pack, out of carton ⁽¹⁸⁾
Notes (15) Sensors or emergencies are only available on the 42 lumen option. (16) WPS sensor and WPN node to be used with CD or HCD driver. (17) WLS sensor and WLN node to be used with CD or HCD driver. Integrated options must be used in conjunction with the associated system and may not be compatible with other options or accessories. Please refer to the following: (A) Consult WaveLinX PRO system pages for additional details and compatibility. (B) Consult WaveLinX LITE system pages for additional details and compatibility.	Notes (18) Required for 1x4 and 2x4 suspended applications.	

Accessories/Ordering Information ⁽¹⁹⁾

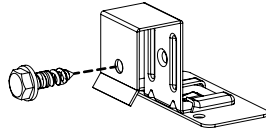
Surface Mount Kit – Surface box with sufficient clearance for all options

Catalog	UPC
FPXSURF14	080083867424
Notes: Surface mount kit is deep enough to fit all available options. Cannot be used with the FPSURF version.	



Ceiling Retention

Catalog	UPC
FPEQ	080083802685
Required by some local codes Order one set for each fixture (Four clips per kit)	



Suspension Kit

Catalog	UPC	Description
FPSUS24	080083258895	2 point Y-hanger suspension kit includes aircraft cable, carabiner, ceiling connection, SO cord, cord connectors and round 4" J-box cover plate
Mounting height from ceiling Min. = 7-1/4" [184mm] Max. = 27" [286mm]		

Load Data (CD most common driver)

Thd	11%
Power Factor	0.96
Weight	9.8 lbs.
Low Temp. Start	-20°C

Drywall Frame Kit

Catalog	UPC
DF-14W-U	662401232949

Shipping Data

Size	Wt.	Pallet (49" x 53")
1' x 4'	12 lbs.	27

Notes: (19) Accessories sold separately will be separately analyzed under domestic preference requirements. Consult factory for further information.

Product Specifications

Construction

- Narrow aluminum bezel is tightly held to a die-formed code gauge steel back plate with flush perimeter and internal gasket
- Seamless corners to maximize the light emitting surface with a refined finish

Mounting

- Integral grid clips and separate suspension clips provided for installation flexibility when additional retention is required
- Junction box constructed of code gauge galvanized steel with an easy access hinged door
- Multiple trade size knockouts provided on the top and sides
- Stock luminaire is less than 2.5" for use in shallow plenum or low ceiling spaces
- Surface mounting kits available
- Suspension options available from factory
- Factory installed flexible cable with dimming leads options available

Integrated Controls

- Standard with 0-10V dimming driver (10% standard, 1% optional)
- Integrated WaveLinX options provide wireless individual fixture control and enable code compliance, increased energy savings, grouping of fixtures, and connection to WaveLinX control systems
- DALI 2.0, Lutron, and step-dimming available

Emergency Options

- 120V-277V integral emergency battery pack comes in 7-watts, 10-watt, or 14-watts
- Self-diagnostic emergency battery available in 10 or 14-watts (NFPA 101® Life Safety Code®)
- Constant power to the LED system for controlled, predictable discharge
- Integrated test switch/indicator light visible from floor
- Min. 90-minute backup period for code compliance
- Integral emergency transfer relay available for generator equipped power systems
- WNPS enables Normal Power Sensing (NPS) functionality, allowing detection of normal power availability as part of a WaveLinX EM solution
- NPS must be ordered with Wavelinx LITE or PRO sensor to enable wireless sensing EM solution
- Order standard product with compatible emergency control device (ESP-P) when pairing NPS enabled luminaires in any space
- NPS luminaires meet requirements

Limited Warranty

- Five year limited warranty.

Optical Shielding

- Light guide with specialized features to optimize light extraction
- White frost lens with smooth pattern for uniform illumination
- Scratch and impact resistant

Compliance

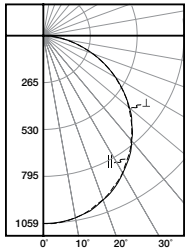
- Indoor luminaires are cULus listed for 25C ambient environments
- IC rated for direct insulation contact
- RoHS compliant
- Damp location listed
- IESNA LM-79 and LM-80 standards compliant
- Can be used for State of California Title 24 high efficacy luminaire
- Meets IP5X rating from the room side with no modification needed
- ATW-SW4 option is available for CCEA (Chicago Plenum) compliance
- Fixture is rated for NSF/ANSI standard 2 - Light fixture for Splash Zone and Non-Food Zone

Electrical

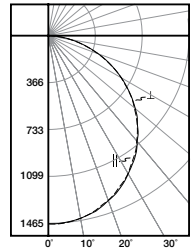
- Standard and High Efficacy models available
- LED's available in 3000K, 3500K, 4000K, and 5000K with a minimum of 80 CRI
- Color accuracy \leq 3-Step MacAdam ellipse (SDCM)
- Projected lumen maintenance based on TM21 testing standards is L73 > 60,000 hours

Photometric Data

[View IES files](#)



14FPX-42-L840-WPS
 Electronic Driver
 Linear LED 4000K
 Spacing criterion: (H) 1.25 x mounting height,
 (L) 1.26 x mounting height
 Lumens: 3054
 Input Watts: 24.6W
 Efficacy: 124.1 LPW
 Test Report: 14FPX-42-L840-WPS.IES



14FPX-30-L840-HE-WPS
 Electronic Driver
 Linear LED 4000K
 Spacing criterion: (H) 1.25 x mounting height,
 (L) 1.26 x mounting height
 Lumens: 4220
 Input Watts: 39.4W
 Efficacy: 107.1 LPW
 Test Report: 14FPX-30-L840-HE-WPS.IES

Energy and Performance Data by Catalog Number

Catalog	Delivered Nominal Lumens	Watts	Efficacy (lm/W)	Input Current (A)	
				120V	277V
14FPX-26-L840-HCD	3017	26.6	113.5	.22	.10
14FPX-30-L840-HE-HCD	3176	25.2	125.8	.21	.09
14FPX-42-L840-HCD	4389	40.6	108.2	.34	.15
14FPX-42-L840-WPS	4220	39.4	107.1	.33	.14

Lumen Calculator

CCT Multiplier	80 CRI
3000K	0.994
3500K	1.00
4000K	1.00
5000K	1.065

Example of Lumen Adjustment Calculation

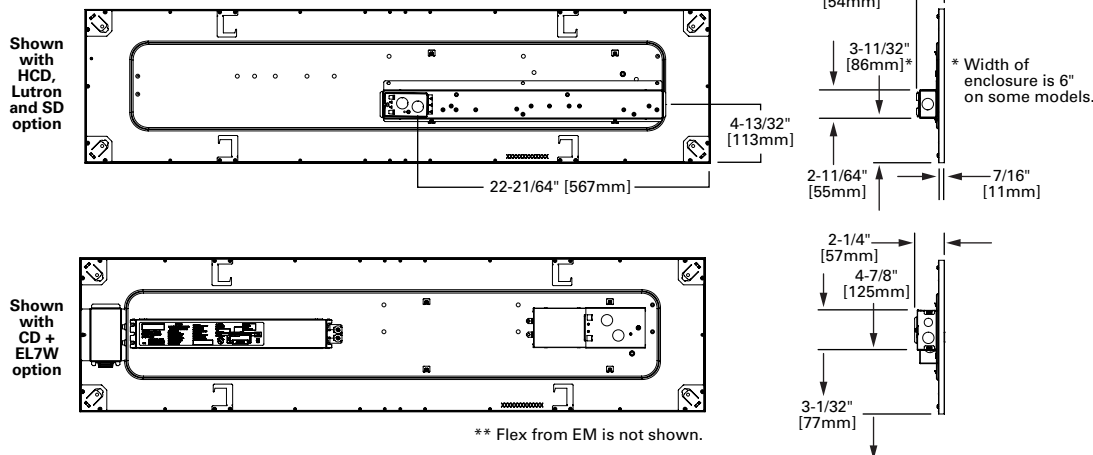
14FPX-42-L850-HCD
 at 5000K

Lumen Adjustment Factor = 1.03

Total Light Output =
 4,389 lm x 1.03 = 4,521 lm

Efficacy = $\frac{4,521 \text{ lm}}{40.6 \text{ W}} = 108.2 \text{ lm/W}$

Dimensional and Mounting Details



Control Solutions

- WaveLinX LITE wireless
- WaveLinX PRO wireless
- WaveLinX CAT wired
- WaveLinX Wired



The FPX with WaveLinX offers no-hassle lighting control with multiple luminaire level control solutions.



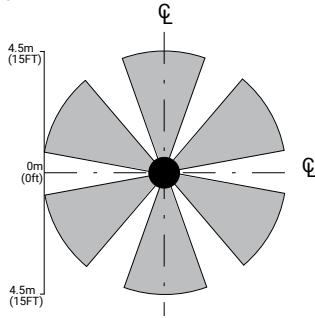
WaveLinX PRO is a wireless lighting control solution, for connected spaces, that significantly reduces a building's energy consumption. From a single floor to an entire campus, WaveLinX PRO connects more than lighting assets; it shares aggregated sensor data with the WaveLinX CORE platform and other building systems, so building owners can improve operations, spaces environment, and tenants' experience. WaveLinX PRO offers a rich portfolio of wireless devices, WaveLinX PRO-enabled luminaires, and an intuitive WaveLinX mobile app for office, education, warehouse, and parking garage applications.



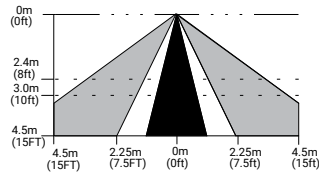
WaveLinX LITE is a cost effective, wireless digital lighting control solution, with out-of-the-box functionality, that saves energy and meets code. It's designed for applications that require occupancy-based, daylighting, or manual light control. Customize installations for office, education, warehouse and parking garages using the secure, simple mobile app.

Integrated Sensor Coverage Pattern

TOP VIEW:

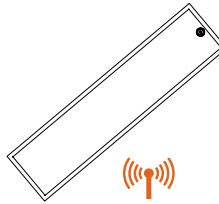


SIDE VIEW:

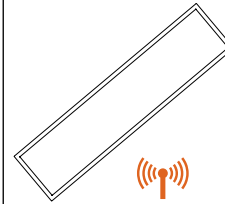


Note: Installation of integrated sensors within 3-ft (1m) of HVAC air vents is not recommended. The pattern shown is intended solely as a general guide and is not to scale.

With Integrated WaveLinX Sensor



With Integrated WaveLinX Node



Add a hidden WaveLinX sensor node (WPN, WLN) to your space lighting design!

Allows to:

- Keeps luminaire aesthetics
- Connect fixtures without the realstate to include sensor option such as downlights
- Connect sealed fixtures without a standard sensor option such as products for clinical space.

Integrated Controls Options

Option	Out of the Box Functionality	Luminaire Level Lighting Control (LLC)	Automatic Dimming Photocell	Occupancy Sensing	CCT Control*
WLS	X	X	X	X	
WLN		X			
WPS		X	X	X	X
WPN		X			X

Note: *WaveLinX utilizes scenes to allow users to change an area's fixtures Correlated Color Temperature (CCT) and intensity using a commissioned wireless wallstation scene controller. To enable CCT adjustments through WaveLinX, include WPS or WPN devices in addition to VividTune or BioUp technologies for integrated fixture control. WPS with CCT controls the intensity of the fixture; an additional, externally mounted control device is needed to control the CCT. See [RSP-P-010-347](#)

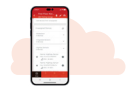
The WPN option is available with WLS or WPS sensors. Must be specified when ordered. Also note that WLS and WPS are also compatible with ESP-L-010-347 and ESP-P-010-347, respectively. Learn more about WaveLinX EM [here](#).

Systems comparison chart

Cooper Lighting Solutions provides many lighting system solutions designed to satisfy code requirements and meet the unique needs of any project.



Luminaire with standalone sensor



Standalone Spaces WaveLinX LITE



Standalone Spaces WaveLinX CAT



Networked Spaces WaveLinX PRO



Enterprise WaveLinX CORE

	Luminaire with standalone sensor	Standalone Spaces WaveLinX LITE	Standalone Spaces WaveLinX CAT	Networked Spaces WaveLinX PRO	Enterprise WaveLinX CORE
Occupancy	Yes	Yes	Yes	Yes	Yes
Daylighting	Yes	Yes	Yes	Yes	Yes
Wallstations	-	Yes	Yes	Yes	Yes
Gateways	-	-	-	1 WAC	300 WACs
Devices (MAX)	-	40 per Area (1120 per space)	40 per Area	200 per WAC2	32,500 per CORE Enterprise
Software	-	WaveLinX LITE Mobile App	WaveLinX CAT Mobile App	WaveLinX Mobile App	CORE
Areas	-	28 per Space	Unlimited	50 per WAC2	up to 3,000
Zones	-	16 per Area	16 per Area	16 per Area	up to 9,000
Scheduling	-	-	-	Local	Global
VividTune™	-	-	-	Yes	Yes
Plug-Load Control	-	Yes	Yes	Yes	Yes
Low-Voltage Power	-	-	Yes	Yes	Yes
Integration	-	-	-	-	BACnet, API
Dashboards	-	-	-	-	Energy, Occupancy
Configuration	-	Installer	Installer	Technician	Technician / IT