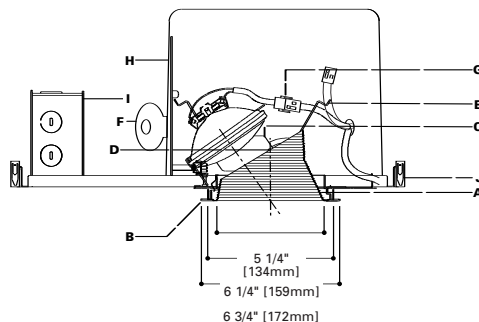


DESCRIPTION

Specification grade 50 watt PAR36 or 75 watt AR111 adjustable for use with narrow joist spacing. Insulation must be kept 3" from fixture sides and top of fixture. Adjustment mechanism features hot aiming capability, aiming marks and toolless locking. Optics provide glare free 50° cut-off to lamp. **Lamp module and optical element can be changed after installation to provide a variety of lamp sources and distributions. e.g. into an A19 Wall Wash**



SPECIFICATION FEATURES

A...Baffle

.040 thick aluminum spun sawtooth baffle in matte black or white powdercoat finish.

B...Flange

Die-cast flange with either matte white or clear coat finish. Die-cast flanges are easily removed for field painting. Elements are keyed for proper insertion.

C...Adjustability

Lamp locks in 361° rotation, 35° tilt. Unit is relamped without unlocking adjustments. Translating centerbeam optics maximize light output.

D...Lens

Clear tempered glass for use with AR111. Accepts up to two filter media.

E...Attachment

Positive torsion springs pull flange tight to ceiling. Mechanical light trap eliminates spill light at edge of flange or reflector.

F...Transformer

Truvolt™ toroidal transformer with dual-output taps for proper 12.0V operation and quiet operation when dimmed. Dimmer tap compensates for inherent voltage loss from dimmers, resulting in 30% more lumens than traditional laminated transformers. Toroidal design, with 90% or greater efficiency, features a rolled one-piece continuous core of M3 grade grain oriented silicon steel complete with an integral thermal to protect against overheating. For dimming, use dimmers rated for electromagnetic transformers. **Transformer is warranted for 5 years and is serviceable from below ceiling.**

Note: If a dimming system is operated for construction lighting in its "shunt" mode, i.e. bypassing the dimmer modules, for an extended period

of time, fixtures with the dual-tap toroidal transformer should be operated on the "Switched Fixture" output until the dimmers are in use. Operating fixtures on the "Dimmed Fixture" output with a full 120v input for an extended period will overdrive the lamp and cause shortened lamp life. M5P36 6V provided with EI laminated transformer and switch taps only.

G...Electrical

Keyed quick connect provides easy lamp module installation. Lamp contacts are spade connectors.

H...Frame/Housing

Optical matte black interior. Hot dipped galvanized 20 gauge steel frame with built in 1/2 inch plaster lip. One piece 20 gauge steel housing for seamless construction is painted matte black for a visually dark interior.

I...Junction Box

18 cubic inches, listed for 4#12 AWG or 6#14 AWG 90° C additional feed through conductors, has five 1/2 inch pryouts.

J...Bar Hangers

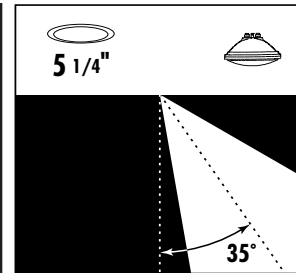
No Flex® bar hangers with positive locking, for use with wood, engineered wood and steel frame joists spaced up to 24" O.C. ship with platform. For use in T-bar ceilings order accessory MBCLP clips. Nailless barb and locator lip provide consistent installation height.

K...Codes

Thermally protected, IP labeled, for use in direct contact with insulation. Meets Washington State Air tight requirements, 1995 CABO Model Energy Code.

L...Labels

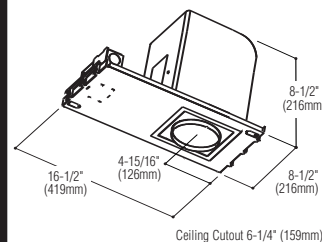
UL and cUL listed, standard damp label, IBEW union made.



PN5 M5P36 E5AABB

**50W PAR36
75W AR111
25 PAR36/5.5
35 PAR111/5.5**

**5" ADJUSTABLE
BAFFLE**



Energy Data (M5P36)

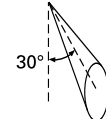
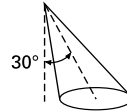
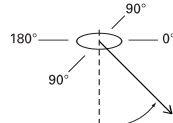
120V Input		
Lamp Watts	Input Watts	Operating Current
20	23	.19
35	41	.34
37	42	.35
42	47	.39
50	57	.48
75	81	.68

ORDERING INFORMATION

Complete unit consists of a platform, module and element

Platform	Lamp Module	Optical Element	Finish	Flange	Accessories
PN5					
PN5 = 5" Airtight Non IC Housing	M5P36 = 5" AR111/PAR36 Low Voltage Transformer M5P366V = 5" 35VA, 5.5V or 75VA, 11.5V EI Laminated Transformer	E5AA = 5" AR111/PAR36 35° Adjustable Accent Baffle	BB= Black Baffle WB= White Baffle	Blank= White die-cast RAW= Natural Die-cast	MBCLP = 40 Push On T Bar Clips (for 10 Units) PLE5 = Plaster Lip Extension for Max 2" Thick Ceiling FMC5 = Flush Mount Collar L4SPD = Spread Lens L4LNR = Linear Spread Lens L4UV = UV Reduction Lens L4LPINK = Light Pink lens L4LSTRAW = Light Straw lens L4DAY = Daylight lens L4SPINK = Surprise Pink lens L4PLAV = Pale Lavender lens L4HEX= Hex Cell Louver

PHOTOMETRICS



Lamp	Luminance cd/m ² @ Maximum Tilt		0° Aiming Angle Horizontal Footcandles				30° Aiming Angle Horizontal Footcandles					30° Aiming Angle Vertical Footcandles						
	Degree	@ 180°	@ 90°	D	FC	L	W	D	FC	L	W	CB	D	FC	L	W	CB	
GE Q50 PAR36/VNSP																		
Lumens: 330	85°	0	0	6'	407	0.6	0.7	6'	200	0.9	0.7	3.5	2'	444	0.6	0.5	3.5	
	75°	0	0	8'	229	0.8	0.9	8'	113	1.2	0.9	4.6	3'	197	0.9	0.7	5.2	
5° x 5°	65°	0	0	10'	146	1.1	1.1	10'	72	1.5	1.2	5.8	4'	111	1.3	0.9	6.9	
35,000 CBCP	55°	0	128	12' 6"	94	1.3	1.4	12' 6"	46	1.9	1.5	7.2	5'	71	1.6	1.2	8.7	
	45°	0	207															
	Test # H22418			Test # H22417				Test # H22418					Test # H22418					

Lamp	Luminance cd/m ² @ Maximum Tilt		0° Aiming Angle Horizontal Footcandles				30° Aiming Angle Horizontal Footcandles					30° Aiming Angle Vertical Footcandles						
	Degree	@ 180°	@ 90°	D	FC	L	W	D	FC	L	W	CB	D	FC	L	W	CB	
GE Q50 PAR36/NSP																		
Lumens: 400	85°	0	0	6'	223	0.9	1.0	6'	130	2.1	2.2	3.5	2'	257	1.8	1.2	3.5	
	75°	0	0	8'	126	1.3	1.4	8'	73	2.9	2.9	4.6	3'	114	2.7	1.8	5.2	
8° x 8°	65°	0	0	10'	80	1.6	1.7	10'	47	3.6	3.7	5.8	4'	64	3.6	2.4	6.9	
30,000 CBCP	55°	0	0	12' 6"	51	2.0	2.2	12' 6"	30	4.5	4.6	7.2	5'	41	4.5	3.1	8.7	
	45°	0	0															
	Test # H22416			Test # H22420				Test # H22419					Test # H22419					

Lamp	Luminance cd/m ² @ Maximum Tilt		0° Aiming Angle Horizontal Footcandles				30° Aiming Angle Horizontal Footcandles					30° Aiming Angle Vertical Footcandles						
	Degree	@ 180°	@ 90°	D	FC	L	W	D	FC	L	W	CB	D	FC	L	W	CB	
OS Q50 AR111/4/SSP																		
Lumens: 550	85°	0	0	6'	842	0.7	0.7	6'	515	0.8	0.7	3.5	2'	1087	0.7	0.3	3.5	
	75°	0	0	8'	474	0.9	0.9	8'	290	1.1	0.9	4.6	3'	483	1.0	0.4	5.2	
4° x 4°	65°	0	0	10'	303	1.1	1.1	10'	185	1.3	1.1	5.8	4'	272	1.4	0.6	6.9	
50,000 CBCP	55°	0	0	12' 6"	194	1.4	1.4	12' 6"	119	1.7	1.4	7.2	5'	174	1.7	0.7	8.7	
	45°	0	415															
	Test # H22421			Test # H22422				Test # H22421					Test # H22421					

Lamp	Luminance cd/m ² @ Maximum Tilt		0° Aiming Angle Horizontal Footcandles				30° Aiming Angle Horizontal Footcandles					30° Aiming Angle Vertical Footcandles						
	Degree	@ 180°	@ 90°	D	FC	L	W	D	FC	L	W	CB	D	FC	L	W	CB	
OS Q50 AR111/24/FL																		
Lumens: 550	85°	0	841	6'	72	2.6	2.6	6'	52	3.3	2.9	3.5	2'	140	1.7	1.2	3.5	
	75°	0	283	8'	41	3.5	3.5	8'	29	4.4	3.9	4.6	3'	62	2.5	1.8	5.2	
25° x 25°	65°	0	173	10'	26	4.4	4.4	10'	19	5.5	4.9	5.8	4'	35	3.3	2.3	6.9	
3,500 CBCP	55°	0	128	12' 6"	17	5.5	5.5	12' 6"	12	6.9	6.1	7.2	5'	22	4.1	2.9	8.7	
	45°	0	104															
	Test # H22416			Test # H22415				Test # H22416					Test # H22416					

Lamp	Luminance cd/m ² @ Maximum Tilt		0° Aiming Angle Horizontal Footcandles				30° Aiming Angle Horizontal Footcandles					30° Aiming Angle Vertical Footcandles						
	Degree	@ 180°	@ 90°	D	FC	L	W	D	FC	L	W	CB	D	FC	L	W	CB	
OS 75AR111/8/SP																		
Lumens: 550	85°	0	0	6'	662	0.8	0.8	6'	401	1.2	0.8	3.5	2'	803	1.0	0.5	3.5	
	75°	0	0	8'	372	1.0	1.0	8'	225	1.6	1.1	4.6	3'	357	1.5	0.7	5.2	
8° x 8°	65°	0	0	10'	238	1.3	1.3	10'	144	2.0	1.3	5.8	4'	201	2.0	0.9	6.9	
30,000 CBCP	55°	0	128	12' 6"	152	1.6	1.6	12' 6"	92	2.6	1.6	7.2	5'	128	2.5	1.2	8.7	
	45°	0	104															
	Test # H22412			Test # H22411				Test # H22412					Test # H22412					

Lamp	Luminance cd/m ² @ Maximum Tilt		0° Aiming Angle Horizontal Footcandles				30° Aiming Angle Horizontal Footcandles					30° Aiming Angle Vertical Footcandles						
	Degree	@ 180°	@ 90°	D	FC	L	W	D	FC	L	W	CB	D	FC	L	W	CB	
OS 75AR111/45/WFL																		
Lumens: 550	85°	0	841	6'	45	3.6	3.6	6'	28	4.3	5.3	3.5	2'	115	1.9	1.9	3.5	
	75°	0	283	8'	25	4.8	4.8	8'	16	5.7	7.0	4.6	3'	51	2.8	2.9	5.2	
45° x 45°	65°	0	173	10'	16	6.1	6.1	10'	10	7.2	8.8	5.8	4'	29	3.7	3.8	6.9	
1,700 CBCP	55°	0	128	12' 6"	10	7.6	7.6	12' 6"	6	9.0	11.0	7.2	5'	18	4.6	4.8	8.7	
	45°	0	207															
	Test # H22413			Test # H22414				Test # H22413					Test # H22413					

Notes and Definitions:

Luminance: To convert cd/m² to footlamberts, multiply by 0.2919

• Beam spread is to 50% center beam candlepower (CBCP)

D=Distance to floor or wall.

FC=Footcandles on floor or wall at center beam aiming location.

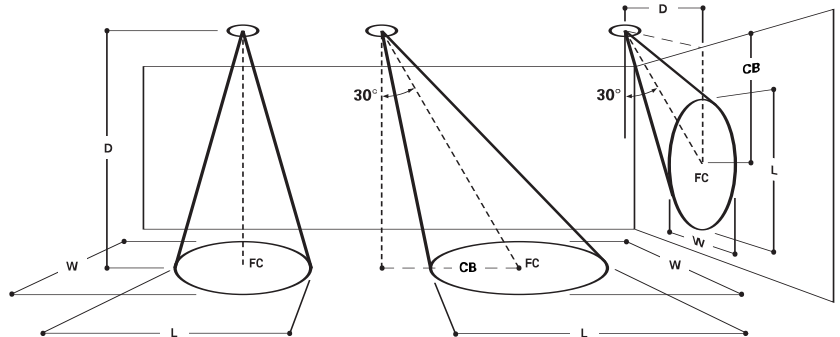
L=Effective Visual Beam length in feet (50% of maximum footcandle level.)

W=Effective Visual Beam width in feet (50% of maximum footcandle level.)

CB=Distance across or down to center beam location.

IRiS believes that bare lamp data photometrics vastly overstate the performance of low voltage adjustable accent fixtures.

The "real world photometrics" shown here are from off the shelf lamps in fixtures using a clear finish reflector, and operated at 12.0 volts.



Note: Specifications and Dimensions subject to change without notice.

Visit our web site at www.cooperlighting.com