

Project		Catalog #		Type	
Prepared by		Notes		Date	



# Metalux

## LHBS Selectable

CCT and Lumen Select Lensed High Bay

### Typical Applications

- Industrial • Manufacturing • Gymnasium • Warehouse

### Interactive Menu

- Order Information [page 2](#)
- Photometric Data [page 3](#)
- Dimension and Size [page 4](#)
- Product Warranty

### Top Product Features

- Up to 24,000 lumen output at min 80 CRI
- (2) Lumen and CCT Select external switches with lock-out cover
- Standard diffused lens for added protection and glare control
- High performance efficacy up to 160 lm/W
- Efficient 1-for-1 replacement of linear fluorescent and HID fixtures
- Sensor and emergency options available
- Impact protection rating IK10 Lens and IK09 Housing

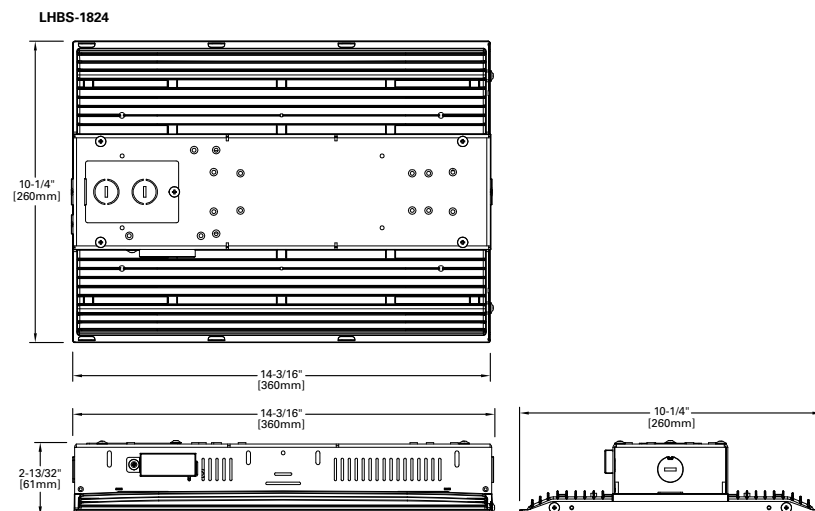
### Product Certification



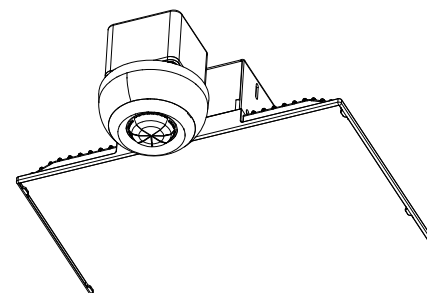
### Product Features



## Dimensional Details



ZW-SWPD3 Sensor



[additional product diagrams](#)

## Order Information

SAMPLE ORDER NUMBER: **LHBS-1218-UNV-L84050-U** Includes V Hangers and (2) 36" pieces of chain for rapid installation

Series <sup>(1)</sup>	LED Lumen Output	Lens/Optic <sup>(2)</sup>	Voltage	CCT	Driver Type	Options	Packaging
<b>LHBS</b> =Linear Lensed High Bay Selectable	<b>1218</b> =12K and 18K Select <b>1824</b> =18K and 24K Select	<b>[Blank]</b> =Diffused Lens	<b>UNV</b> =Universal Voltage 120-277	<b>L84050</b> =4000K and 5000K CCT select	<b>[Blank]</b> =0-10V Dimming Driver	<b>EL20W-REM</b> =EM pack, remote installation, 20W <sup>(3)</sup> <b>C6</b> =6' cord, 18/3, white <b>C12</b> =12' cord, 18/3, white <b>PC6/277</b> =6' white cord, 18/3, with 277V, 15A NEMA twist-lock plug <b>PC12/277</b> =12' white cord, 18/3, with 277V, 15A NEMA twist-lock plug <b>MS</b> =Motion Sensor (360° or 180°), No Photocell, 8'-40' Mounting Height <b>OEPF010VMV</b> =Occupancy Sensor with Integrated Photocell, 13'-40' Mounting Height <b>ZW-SWPD3</b> =WaveLinX Wireless Sensor, Sidecar mount, with 1200 sq ft. coverage <b>WLS4</b> =WaveLinX Lite Wireless Integrated Sensor, 15'-40' Mounting Height <sup>(2)</sup>	<b>U</b> =Unit Pack
<b>Notes</b>						<b>Notes</b>	
(1) DesignLights Consortium® Qualified and classified for DLC Premium, refer to www.designlights.org for details.						(2) WaveLinX LITE devices are not currently compatible with the WaveLinX PRO Wireless Area Controller. (3) Emergency option rated for 0°C to 55°C (32°F to 131°F) ambient.	

Accessories (order separately)
<b>LHBS-WG13</b> =Wireguard Kit for LHBS-1218 <b>LHBS-WG14</b> =Wireguard Kit for LHBS-1824 <b>LHBS-SMK</b> =Surface Mount Kit <sup>(4)</sup> <b>LHBS-PMK</b> =Pendant Mount Kit <sup>(4)</sup> <b>Loop</b> =_Single loop toggle, No 2. (Specify 10 or 30 foot length) <sup>(5)</sup> <b>OEF-P-2MH0-MV-SL</b> =Motion sensor, 360 degrees, 120-277V, end mount – field installed
<b>Notes</b>
(4) Rigid mount not recommended for use in gymnasiums. (5) Single Loop, Order two per fixture. Use in conjunction with included V-hook.



## Product Specifications

### Construction

- Diecast construction with center driver housing for added durability and thermal control
- Three compact sizes available for easy, one-person installation
- Impact protection rating IK10 Lens and IK09 Housing

### Electrical

- Long-life LED system with electrical driver for optimal performance
- Two CCT select option available at ≥ 80CRI in 4000K or 5000K
- Lumen select option available in full, or low brightness, see performance table and ordering logic
- LHBS operates at ambient temps of -20°C to 50°C when suspended 18 inches from ceiling. (Reference ambient chart for other operating temperatures)
- Default CCT/Lumen setting is 4000K and high power
- LHBS plus Emergency battery only rated for 0°C to 50°C ambient

### Optics

- Diffused lens provides added protection and glare control

### Mounting

- V-hook and chain set included for making LHBS ideally suited for suspension mount
- Accessories available for different mounting options

### Emergency

- 120-277V emergency 20W battery pack
- Constant power to the LED system for controlled, predictable discharge
- Integrated test switch/indicator light visible from floor
- Min. 90-minute backup period for code compliance
- Remote mounted lithium battery installed in field. Factory installed option available.
- Battery meets CEC Title 20 (California Energy Commission) efficiency standards.
- Batteries mounted externally to LHBS will have different operating temps than standard LHBS product. Refer to battery specifications for operating temps (0°C to 55°C / 32°F to 131°F).

### Controls

- Integral occupancy sensor, 600 sqft up to 1250 sqft of coverage for occupancy sensing and daylight harvesting
- 360° or 180° lens available with motion sensor
- Integrated Wavelinx Wireless Sensor option provides 1200 sq. ft. coverage, up to 40' MH

### Finish

- Standard white polyester powder coat finish painted after fabrication for increased durability and rust inhibition

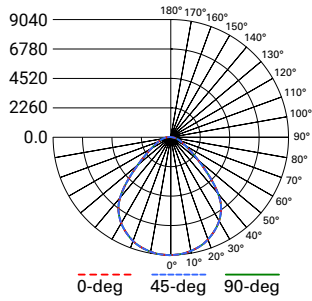
### Compliance

- cULus Listed for damp locations
- Complies with IESNA LM-79 and LM-80 standards
- Qualifies as State of California Title 24 non-residential high efficiency luminaire
- FCC part 15 class A compliant
- DesignLights Consortium® Qualified and classified for DLC Standard and DLC Premium (refer to [www.designlights.org](http://www.designlights.org))

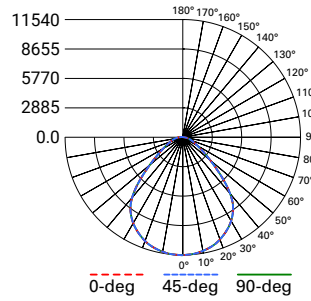
**WaveLinX LITE devices are not currently compatible with the WaveLinX PRO Wireless Area Controller**

## Photometric Data

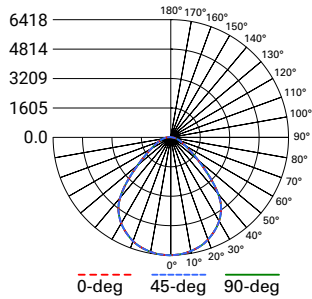
[View IES files](#)



**LHBS-1824-UNV-L84050**  
 Electronic Driver  
 Linear LED 5000K  
 Spacing criterion: (II) 1.24 x mounting height, (⊥) 1.24 x mounting height  
 Lumens: 18789  
 Input Watts: 119.2W  
 Efficacy: 157.6 lm/W  
 Test Report: LHBS-1824-UNV-L84050 (18K LUMEN 5000K CCT SETTINGS)



**LHBS-1824-UNV-L84050**  
 Electronic Driver  
 Linear LED 5000K  
 Spacing criterion: (II) 1.24 x mounting height, (⊥) 1.24 x mounting height  
 Lumens: 23984  
 Input Watts: 159.1W  
 Efficacy: 150.7 lm/W  
 Test Report: LHBS-1824-UNV-L84050 (24K LUMEN 5000K CCT SETTINGS)



**LHBS-1218-UNV-L84050**  
 Electronic Driver  
 Linear LED 5000K  
 Spacing criterion: (II) 1.23 x mounting height, (⊥) 1.23 x mounting height  
 Lumens: 13059  
 Input Watts: 85.4W  
 Efficacy: 152.9 lm/W  
 Test Report: LHBS-1218-UNV-L84050 (12K LUMEN 4000K CCT SETTINGS)

## Energy and Performance Data

Default CCT/Lumen position: 4000K / High Power

Catalog Number	UPC	Voltage	Lumen Setting	Nominal CCT	CRI	Nominal Lumens	120V		277V	
							Watts	Efficacy (lm/W)	Watts	Efficacy (lm/W)
LHBS-1218-UNV-L84050-U	080083274741	120-277V	Low	4000K	84	13059	85	153	86	152
				5000K	82	12929	86	150	87	149
			High	4000K	84	18275	124	147	122	150
				5000K	82	17862	126	142	124	144
LHBS-1824-UNV-L84050-U	080083275625	120-277V	Low	4000K	84	18880	119	159	118	160
				5000K	83	18789	119	158	118	159
			High	4000K	84	24153	156	155	153	158
				5000K	83	23984	159	151	156	154

### Lumen Maintenance

Ambient Temperature	TM-21 Lumen Maintenance (60,000 hours)	Theoretical L70 (Hours)
25°C	> 87%	> 154,000

### Shipping Data

Catalog No.	Wt.
LHBS-1218	3.7 lbs.
LHBS-1824	4.5 lbs.

### Ambient Ratings

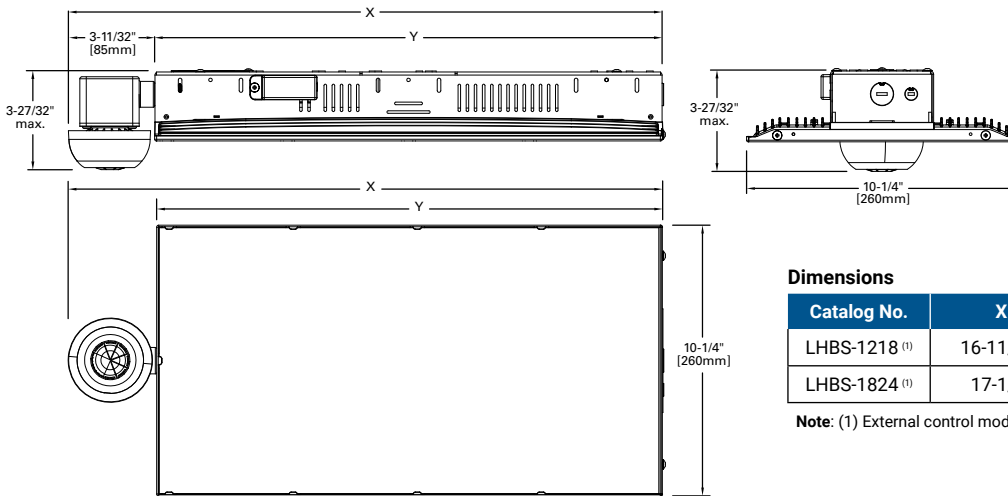
Lumen Package	Ambient Rating	LHBS-SMK
LHBS-1218	50°C	45°C
LHBS-1824	50°C	45°C

### IK Rating

LHBS	IK Rating
Lens	IK10
Housing	IK09

## Dimensional and Mounting Details

LHBS with ZW-SWPD3 Sensor



Dimensions

Catalog No.	X	Y
LHBS-1218 <sup>(1)</sup>	16-11/32"	13"
LHBS-1824 <sup>(1)</sup>	17-1/2"	14-3/16"

Note: (1) External control module adds to product length.

LHBS-1218

