

Project		Catalog #		Type	
Prepared by		Notes		Date	



## Portfolio

### LERS6B/LESQS6B Cylinders

LERS6B/LESQS6B/LSRSYM6B/LSSQSYM6B  
LED 6" Shallow Round and Square Cylinder  
Downlight and Directional

#### Typical Applications

Office • Education • Healthcare • Hospitality • Retail • Residential

#### Interactive Menu

- Order Information [page 2](#)
- Product Specifications [page 4](#)
- Energy Data [page 4](#)
- Photometric Data [page 5](#)
- Connected Systems [page 8](#)
- Product Warranty

#### Product Certification



#### Product Features



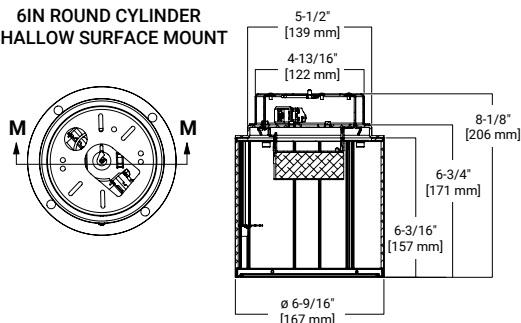
#### Top Product Features

- 1,000 to 4,000 lumens; Offered in 80, 90 and 97 CRI
- Round or square small surface-mount cylinders; Ceiling, wall, stem, up/down, yoke mount adjustable, LuxWire power over cable
- Extruded aluminum housing; Matte Black, White, Bronze and Silver paint finishes
- 6 color temperatures: 2400K, 2700K, 3000K, 3500K, 4000K and 5000K CCT; D2W™ option from 3000K to 1850K
- W2N Tunable White 2700K-6500K or 2000K-5000K
- Downlight or 30° adjustable reflector

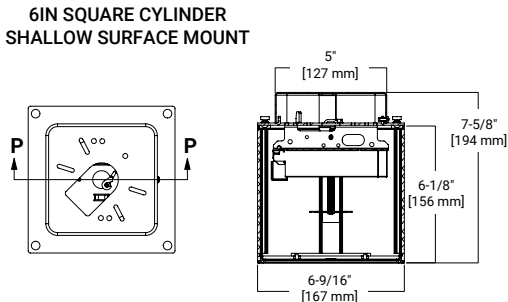
#### Dimensional and Mounting Details

[additional product diagrams](#)

6IN ROUND CYLINDER  
SHALLOW SURFACE MOUNT



6IN SQUARE CYLINDER  
SHALLOW SURFACE MOUNT



## Order Information

SAMPLE ORDER NUMBER: **LERS6B10D010**

Cylinder	Lumens	Voltage	Driver	Remote	Finish
<b>LERS6B</b> =6-inch round shallow surface ceiling mount <b>LERSWM6B</b> = 6-inch round shallow wall mount <b>LERSUD6B</b> = 6-inch round shallow wall mount up/down <sup>(1)(5)</sup> <b>LESQS6B</b> = 6-inch shallow square surface ceiling mount square aperture <sup>(2)</sup> <b>LESQRS6B</b> = 6-inch shallow square surface ceiling mount round aperture <sup>(3)</sup> <b>LESQWMS6B</b> = 6-inch shallow square wall mount square aperture <sup>(2)</sup> <b>LESQRWMS6B</b> = 6-inch shallow square wall mount round aperture <sup>(3)</sup> <b>LESQUDS6B</b> = 6-inch shallow square wall mount up/down square aperture <sup>(1)(4)</sup> <b>LESQRUDS6B</b> = 6-inch shallow square wall mount up/down round aperture <sup>(1)(5)</sup> <b>LESQSMS6B</b> = 6-inch shallow square surface ceiling mount square aperture with surface mount conduit canopy <sup>(2)</sup> <b>LESQRSMS6B</b> = 6-inch shallow square surface ceiling mount, round aperture with surface mount conduit canopy <sup>(3)</sup> <b>LESQSPC6B</b> = 6-inch shallow up/down square, square opening LuxWire aircraft cable with power <sup>(4)(21)(23)</sup> <b>LESQRUDPC6B</b> = 6-inch shallow up/down square, round opening LuxWire aircraft cable with power <sup>(5)(21)(23)</sup> <b>LERSUDSPC6B</b> = 6-inch shallow up/down round LuxWire aircraft cable with power mount <sup>(5)(21)(23)</sup> <b>LESQSPC6B</b> = 6-inch shallow square square aperture surface ceiling mount LuxWire aircraft cable with power 120" <sup>(23)</sup> <b>LESQRSPC6B</b> = 6-inch shallow square with round aperture surface ceiling mount LuxWire aircraft cable with power 120" <sup>(23)</sup> <b>LERSPC6B</b> = 6-inch shallow round surface ceiling mount LuxWire aircraft cable with power 120" <sup>(23)</sup> <b>LERSYM6B</b> = 6-inch round shallow yoke mount <sup>(24)</sup> <b>LESQYMS6B</b> = 6-inch shallow square yoke mount square aperture <sup>(2)(24)</sup> <b>LESQRYS6B</b> = 6-inch shallow square yoke mount round aperture <sup>(3)(24)</sup>	<b>10</b> =1000 lumens <b>15</b> =1500 lumens <b>20</b> =2000 lumens <b>30</b> =3000 lumens <b>40</b> =4000 lumens	<b>blank</b> =120-277V <b>3</b> =347V <sup>(6)</sup>	<b>D010</b> =120-277V 0-10V 1% dimming <b>D010TR</b> =0-10V (120-277V) or line voltage (120V) dimming, 5-100% <b>DE010</b> =120-277V 0-10V 0% linear dimming <b>D5LT</b> =Fifth Light (DALI) logarithmic dimming <b>DMX</b> =DMX/RDM logarithmic dimming <sup>(7)</sup> <b>DMXC5</b> =DMX/RDM logarithmic dimming with RJ45 connection <sup>(7)</sup> <b>DL2</b> =1 to 100% dimming, 120V Lutron Hi-Lume forward phase dimming <b>DLE</b> =Lutron Ecosystem dimming 1% to 100%, 120-277V  <b>Tunable White 1000-2000 lumens</b> <sup>(22)</sup> <b>DE010W2N2765</b> =0-10V dimming, 0% to 100%, 120-277V, 2700K-6500K <b>DE010W2N2050</b> =0-10V dimming, 0% to 100%, 120-277V, 2000K-5000K <b>D5LTW2N2765</b> =Fifth Light DALI dimming, 0% to 100%, 120-277V, 2700K-6500K <b>D5LTW2N2050</b> =Fifth Light DALI dimming, 0% to 100%, 120-277V, 2000K-5000K	<b>blank</b> =Integral driver <b>R</b> =Remote driver <sup>(9)</sup>	<b>P</b> =White <b>MB</b> =Matte Black <b>SL</b> =Silver <b>BZ</b> =Bronze
<b>Notes</b>	<b>Notes</b>	<b>Notes</b>	<b>Notes</b>	<b>Notes</b>	<b>Notes</b>
(1) Limit 3000 lumens with integral driver, 4000 lumens with remote driver (2) Square reflector (3) Round reflector (4) Square reflector, requires two reflectors and light engines (5) Round reflector, requires two reflectors and light engines (21) LuxWire limited to 3000 lumens (23) Canopy mount driver available for all drivers except DMX, omit R in ordering information (24) Ceiling mount only		(6) 347V integral D010 only.	(7) DMX fixtures default to full on upon loss of DMX signal (22) W2N not compatible with LuxWire.	(8) Up down surface mount require 2 driver assemblies (9) Order remote driver separately. See below to order.	(10) Consult factory for custom finishes.

SAMPLE ORDER NUMBER: **EC6B10208035**

Power Module	Lumen Levels	Color
<b>EC6B</b> =6-inch cylinder light engine	<b>1020</b> =1000, 1500, or 2000 Lumens <b>3040</b> =3000 or 4000 Lumens	<b>80 CRI</b> <b>8027</b> = 80CRI, 2700K <b>8030</b> = 80CRI, 3000K <b>8035</b> = 80CRI, 3500K <b>8040</b> = 80CRI, 4000K <b>8050</b> = 80CRI, 5000K  <b>90 CRI</b> <b>9024</b> = 90CRI, 2400K <b>9027</b> = 90CRI, 2700K <b>9030</b> = 90CRI, 3000K <b>9035</b> = 90CRI, 3500K <b>9040</b> = 90CRI, 4000K <b>9050</b> = 90CRI, 5000K  <b>97 CRI</b> <b>9727</b> = 97CRI, 2700K <b>9730</b> = 97CRI, 3000K
<b>ECA6B</b> =6-inch cylinder adjustable light engine	<b>1040</b> =1000, 1500, 2000, 3000 or 4000 Lumens	<b>Dim 2 Warm</b> <b>109030D2W</b> =1000 Lumen, 90 CRI, Dim 2 Warm, IC Rated <b>159030D2W</b> =1500 Lumen, 90 CRI, Dim 2 Warm, IC Rated <b>209030D2W</b> =2000 Lumen, 90 CRI, Dim 2 Warm, IC Rated <b>309030D2W</b> =3000 Lumen, 90 CRI, Dim 2 Warm  <b>W2N Tunable White</b> <sup>(22)</sup> <b>1020W2N902050</b> =1000, 1500, 2000 lumens, 90 CRI, tunable white 2000K-5000K <b>1020W2N902765</b> =1000, 1500, 2000 lumens, 90 CRI, tunable white 2700K-6500K
<b>Notes</b>	<b>Notes</b>	<b>Notes</b>
(16) Nominal Lumens will vary depending on selected color, driver and reflector finish.	(22) W2N not compatible with LuxWire.	

SAMPLE ORDER NUMBER: **6LBSS3H**

Trim	Reflector	Finish
<b>6LB</b> =6" Reflector	<b>SS3</b> =Round shallow spun aluminum <b>SCS3</b> =Round shallow die cast <b>SQS3</b> =Square shallow anodized aluminum <b>SCSSQS3</b> =Square shallow die cast	<b>LI</b> =Specular Clear <sup>(17)</sup> <b>H</b> =Semi-Specular Clear <sup>(17)</sup> <b>WMH</b> =Warm Haze <sup>(17)</sup> <b>WH</b> =Heat <sup>(17)</sup> <b>GPH</b> =Graphite Haze <sup>(17)</sup>  <b>B</b> =Specular Black <sup>(17)</sup> <b>MW</b> =Matte White <b>MB</b> =Matte Black <sup>(18)</sup> <b>MMS</b> =Matte Metallic Silver <sup>(18)</sup>
<b>6LBA</b> =0-30° directional	<b>MW</b> =Matte White <b>MB</b> =Matte Black <sup>(18)</sup> <b>MMS</b> =Matte Metallic Silver <sup>(18)</sup>	
<b>Notes</b>	<b>Notes</b>	<b>Notes</b>
		(17) Anodized or spun reflectors (18) Die cast only

## Order Information

**REQUIRED if Remote Driver (R) is specified on Cylinder**

Remote Drivers	Lumens	Voltage	Driver	Options	Controls
Remote Drivers <sup>(8)</sup>	Lumens	Voltage <sup>(12)</sup>	Driver	Options	Controls
<b>R100</b> =Remote 100 ft <b>R75</b> = Remote 75ft <b>R50</b> = Remote 50 ft <b>R25</b> = Remote 25ft <b>R15</b> = Remote 15ft <b>R5</b> = Remote 5ft <b>R2</b> = Remote 2 ft	<b>10</b> =1000 lumens <b>15</b> =1500 lumens <b>20</b> =2000 lumens <b>30</b> =3000 lumens <b>40</b> =4000 lumens <sup>(11)</sup>	<b>blank</b> =120-277V up to 3000 lumens <b>1</b> =120V 4000 lumens <b>2</b> =277V 4000 lumens <b>3</b> =347V	<b>D010</b> =120-277V 0-10V 1% dimming <b>D010TR</b> =0-10V (120-277V) or line voltage (120V) dimming, 5-100% <b>DE010</b> =0-10V Linear Dimming, 0% to 100%, 120V-277V <b>D5LT</b> =Fifth Light® (DALI) Logarithmic Dimming, 0% to 100%, 120V-277V <b>DMX</b> =DMX/RDM Logarithmic Dimming, 0% to 100%, 120V-277V <sup>(7)</sup> <b>DMXC5</b> =DMX/RDM Logarithmic Dimming, 0% to 100%, 120V-277V, with RJ45 connection <sup>(7)</sup> <b>DL2</b> =1 to 100% dimming, 120V Lutron Hi-Lume forward phase dimming <sup>(13)</sup> <b>DLE</b> =Lutron Ecosystem dimming 1% to 100%, 120-277V <sup>(13)</sup> <b>DLV</b> =Low Voltage System  <b>Tunable White 1000-2000 lumens</b> <sup>(14) (22)</sup> <b>DE010W2N2765</b> =0-10V dimming, 0% to 100%, 120-277V, 2700K-6500K <b>DE010W2N2050</b> =0-10V dimming, 0% to 100%, 120-277V, 2000K-5000K <b>D5LTW2N2765</b> =Fifth Light DALI dimming, 0% to 100%, 120-277V, 2700K-6500K <b>D5LTW2N2050</b> =Fifth Light DALI dimming, 0% to 100%, 120-277V, 2000K-5000K	<b>EM7</b> =7W emergency module with remote test switch <b>EM14</b> =14W emergency module with remote test switch <b>EMB0D</b> =Bodine® Emergency Module with Remote Test Switch <b>EMV7</b> =7W emergency module for use with DLV driver with remote test switch <b>EMV14</b> =14W emergency module for use with DLV driver with remote test switch	<b>WTA</b> = Factory installed WaveLinX sensor Kit <sup>(15) (26)</sup> <b>WTK</b> = Factory installed WaveLinX Lite Sensor Kit <sup>(15) (27)</sup>
<b>Notes</b> (8) Up down surface mount require 2 driver assemblies	<b>Notes</b> (11) Specify voltage	<b>Notes</b> (12) Voltage must be specified for 4000 lumens and above	<b>Notes</b> (7) DMX fixtures default to full on upon loss of DMX signal (13) Only available up to 25 ft. (14) Not available with up/down (22) W2N not compatible with LuxWire.	<b>Notes</b>	<b>Notes</b> (15) Refer to system specifications for additional information, features, and benefits. Order either factory installed option or accessory. (26) WTA = WaveLinX wireless sensor kit for daylight dimming, PIR motion sensing, and optional RLTS - Real Time Location Services, use with 0-10V only. (27) WTK = WaveLinX Lite tile mount sensor kit for daylight dimming, PIR motion sensing, use with D010 only (Refer to WaveLinX Lite system specifications)

Accessories	Type	Lengths
Accessories	Type	Lengths
<b>Pendant Kit</b> <sup>(19)</sup> <b>P836P</b> =White pendant stem kit for round suspended mount cylinder <b>P836BZ</b> =Bronze pendant stem kit for round suspended mount cylinder <b>P836MB</b> =Matte black pendant stem kit for round suspended mount cylinder <b>P836SL</b> =Silver pendant stem kit for round suspended mount cylinder	<b>Blank</b> =5 conductor for use with 0-10V driver <b>3C</b> =3 conductor for use with 120 or 277V <b>5C</b> = conductor for use with D5LT drivers <b>DMX</b> =No conductors for use with DMX <b>RM</b> = for Remote drivers	<b>Blank</b> =36" <b>SP</b> =* Specify 6" to 144" in 1" increments
<b>Conduit pendant kit</b> <sup>(25)</sup> <b>PMRCC6P</b> = Round pendant stem kit with conduit knockout cover, white <b>PMRCC6MB</b> = Round pendant stem kit with conduit knockout cover, black <b>PMRCC6BZ</b> = Round pendant stem kit with conduit knockout cover, bronze <b>PMRCC6SL</b> = Round pendant stem kit with conduit knockout cover, silver  <b>PMSQCC6P</b> = Square pendant stem kit with conduit knockout cover, white <b>PMSQCC6MB</b> = Square pendant stem kit with conduit knockout cover, black <b>PMSQCC6BZ</b> = Square pendant stem kit with conduit knockout cover, bronze <b>PMSQCC6SL</b> = Square pendant stem kit with conduit knockout cover, silver		<b>Blank</b> =36" <b>SP</b> =* Specify 6" to 144" in 1" increments
<b>Aircraft cable</b> <b>AC120P</b> =120" white aircraft cable kit <b>AC48P</b> =48" white aircraft cable kit <b>AC120MB</b> =120" black aircraft cable kit <b>AC48MB</b> =48" black aircraft cable kit	<b>Blank</b> =5 conductor <b>DMXC5</b> =DMX/RDM logarithmic Dimming with RJ45 connection	
<b>LNE6RUD</b> =up/down gasketed lens, wet location, round <b>LNE6SQUD</b> =up/down gasketed lens, wet location, square <b>Conduit Kit</b> <sup>(25)</sup> <b>SMRCC6P</b> = Round conduit canopy for surface mount, white <b>SMRCC6MB</b> = Round conduit canopy for surface mount, black <b>SMRCC6BZ</b> = Round conduit canopy for surface mount, bronze <b>SMRCC6SL</b> = Round conduit canopy for surface mount, silver <b>Connected Lighting Systems</b> <sup>(15)</sup> <b>WTA</b> = Field installed WaveLinX sensor Kit <sup>(26)</sup> <b>WTK</b> = Field installed WaveLinX Lite Sensor Kit <sup>(27)</sup>		
<b>Notes</b> (15) Refer to system specifications for additional information, features, and benefits. Order either factory installed option or accessory. (19) 0-45° slope. (20) Use with remote driver. (25) Not for use with remote driver. (26) WTA = WaveLinX wireless sensor kit for daylight dimming, PIR motion sensing, and optional RLTS - Real Time Location Services, use with 0-10V only. (27) WTK = WaveLinX Lite tile mount sensor kit for daylight dimming, PIR motion sensing, use with D010 only (Refer to WaveLinX Lite system specifications)	<b>Notes</b>	<b>Notes</b>

## Product Specifications

### Lower Reflector

- Painted die-cast aluminum or spun aluminum lower reflector with a lensed upper optical chamber provides superior lumen output with minimal source brightness
- Square surface mount available with square or round reflectors
- Spun reflectors are available in all Portfolio finishes
- Directional with baffle tilts from 0-30°

### Trim retention

- Two torsion springs hold flange tightly to the cylinder lip

### Cylinder

- Shallow round and soft square extruded aluminum
- Matte white, bronze, silver or matte black. Consult factory for custom finishes.
- Available in standard and shallow heights
- Yoke mount provides +/-45° lockable tilt

### Mounting

- Mounting plate installs to mounted junction box
- Cylinder mounts to plate with easy twist and lock hooks for ceiling mount
- For wall mount, mounting arm attaches directly to junction box via a robust mounting plate
- Offered with optional stem and aircraft cable
- LuxWire™ provides low voltage power to the cylinder via aircraft cable
- Conduit canopy allows for mounting pendant and surface cylinder on hard ceilings provided in painted finish to match the cylinder accommodates ½" or ¾" conduit.

### Thermal

- Aluminum heat sink conducts heat away from the LED module for optical performance and longer life

### LED System

- Contains a plurality of high brightness white LED's combined with high reflectance upper reflector and convex transitional lens producing even distribution with no pixilation
- Lumen output shall not decrease by more than 10% over the minimum life of 55,000 hours (L90 > 55,000 hours)
- Color variation within 2-step MacAdam ellipses
- Quick disconnect allows for tool-less replacement of LED engine from below ceiling
- Available in 2400K, 2700K, 3000K, 3500K, 4000K and 5000K correlated color temperature (CCT)
- Available in 80, 90 or 97 color rendering index (CRI)

### VividTune™ Color Tuning Solutions

- D2W™ – Dim-to-Warm shifts CCT from 3000K to 1850K as fixture dims, mimicking halogen sources
- W2N – Tunable white CCT range from 2700K to 6500K or 2000K to 5000K; 90 CRI (remote only)

### Driver

- Standard 120-277V 0-10V dimming driver provides flicker-free dimming from 100% to 1%
- Optional 120V leading edge, <1% 0-10V, Fifth Light, DMX or Lutron®
- Remote driver option up to 100' based on driver selection
- Distributed low voltage power system combines power, lighting, and controls with ease of installation.

### Connected Lighting System Options

Two WaveLinX connected systems to choose from. Refer to WaveLinX system specifications and application guides for details.

### WaveLinX Wireless System Tilemount Sensor Kit

- WaveLinX Wireless WTA tile mount sensor kit offers daylight dimming, PIR motion sensing, scene and zone configuration, automatic commissioning; and optional RLTS - Real Time Location Services available.

### WaveLinX Lite System Tilemount Sensor Kit

- WaveLinX Lite WTK tile mount sensor kit offers daylight dimming and PIR motion sensing, scene and grouping configuration.

### WaveLinX Tilemount Kits Application

- The WTA and WTK tilemount kits include a control module mounted on the luminaire junction box via 1/2" knock-out, and a tilemount sensor on 54-inch whip; for ceiling installation by direct-mount spring clips or via mounting bracket in octagon ceiling boxes.
- The WTA and WTK tilemount kits may be ordered as factory installed on the luminaire, or ordered separately as a field installed accessory kit.

### Compliance

- Pendant mount cULus Listed for damp locations
- Ceiling mount cULus Listed for wet locations and IP66 compliant covered ceiling
- Wall mount cULus Listed for wet location and IP66 compliant
- EMI/RFI emissions per FCC 47CFR Part 18 Class B consumer limits
- RoHS compliant
- Photometric testing completed in accordance with IES LM-79
- LED life testing completed in accordance with IES LM-80 standards

### Warranty

- Five-year warranty

## Energy Data

ENERGY DATA
Sound Rating: Class A standards
(Values at non-dimming line voltage)
Minimum Starting Temperature: -30°C (-22°F)
EMI/RFI: FCC Title 47 CFR, Part 15, Class B (Consumer)
Input Voltage: UNV (120V - 277V)
Power Factor: >0.90 (at nominal input 120-277 VAC & 100% of Rated Output Power)
Input Frequency: 50/60Hz

Lumens	120V		277V	
	Inrush (A)	Duration (ms)	Inrush (A)	Duration (ms)
1000 Lumen D010	1.02	0.041	2.18	0.021
1500 Lumen D010	1.02	0.042	2.24	0.064
2000 Lumen D010	1.02	0.077	2.43	0.027
3000 Lumen D010	1.15	0.067	3.26	0.027
4000 Lumen D010	1.2	0.088	3.9	0.03

1000 Lumen D010		1500 Lumen D010		2000 Lumen D010	
Input Power: 11W	THD <14%	Input Power: 15.5W	THD <13%	Input Power: 21.2 W	THD <9%
Input Current: 0.09A	277V Input Current: 0.04A	Input Current: 0.13A	277V Input Current: 0.06A	Input Current: 0.18A	277V Input Current: 0.08A
3000 Lumen D010		4000 Lumen D010		5000 Lumen D010	
Input Power: 27.6 W	THD <10%	Input Power: 41.6 W	THD <13%	Input Power: 57.9 W	THD <14%
Input Current: 0.23A	277V Input Current: 0.10A	Input Current: 0.35A	277V Input Current: 0.15A	Input Current: 0.49A	277V Input Current: 0.22A
6000 Lumen D010					
Input Power: 59.7 W	THD <14%				
Input Current: 0.50A	277V Input Current: 0.22A				

## Photometric Data

WIDE		CANDLEPOWER DISTRIBUTION	CONE OF LIGHT	CANDELA TABLE	ZONAL LUMEN SUMMARY	LUMINANCE				
Test Number	P411913			Degrees Vertical	Candela	Zone	Lumens	% Fixture	Average Candela Degrees	Average 0° Luminance
Housing	6B15D010			0	1278	0-30	800	39.5	45	36864
Module	EC6B10208035			5	1259	0-40	1196	59.1	55	29399
Trim	6LBSS3LI			15	1069	0-60	1837	90.7	65	19263
Lumens	2025			25	830	0-90	2025	100	75	7286
Efficacy	141.6 Lm/W			35	633	90-180	0	0	85	0
SC	0.91	45	476	0-180	2025	100				
UGR	22	55	308							
		MH	FC	L	W					
		5.5'	42.2	4.8	4.8					
		7'	26.1	6.2	6.2					
		8'	20	7.2	7.2					
		9'	15.8	8	8					
		10'	12.8	9	9					
		12'	8.9	10.8	10.8					

WIDE		CANDLEPOWER DISTRIBUTION	CONE OF LIGHT	CANDELA TABLE	ZONAL LUMEN SUMMARY	LUMINANCE				
Test Number	P411914			Degrees Vertical	Candela	Zone	Lumens	% Fixture	Average Candela Degrees	Average 0° Luminance
Housing	6B15D010			0	843	0-30	628	34.2	45	43050
Module	EC6B10208035			5	836	0-40	1001	54.5	55	35249
Trim	6LBSC3MMS			15	791	0-60	1635	89.1	65	23835
Lumens	1836			25	708	0-90	1836	100	75	9856
Efficacy	131.1 Lm/W			35	596	90-180	0	0	85	823
SC	1.16	45	467	0-180	1836	100				
UGR	22	55	310							
		MH	FC	L	W					
		5.5'	27.9	6.2	6.2					
		7'	17.2	8	8					
		8'	13.2	9.2	9.2					
		9'	10.4	10.4	10.4					
		10'	8.4	11.6	11.6					
		12'	5.9	13.8	13.8					

MEDIUM		CANDLEPOWER DISTRIBUTION	CONE OF LIGHT	CANDELA TABLE	ZONAL LUMEN SUMMARY	LUMINANCE				
Test Number	P411915			Degrees Vertical	Candela	Zone	Lumens	% Fixture	Average Candela Degrees	Average 0° Luminance
Housing	6B15D010			0	843	0-30	628	34.2	45	43050
Module	EC6B10208035			5	836	0-40	1001	54.5	55	35249
Trim	6LBSSQS3MMS			15	791	0-60	1635	89.1	65	23835
Lumens	1836			25	708	0-90	1836	100	75	9856
Efficacy	131.1 Lm/W			35	596	90-180	0	0	85	823
SC	1.16	45	467	0-180	1836	100				
UGR	22	55	310							
		MH	FC	L	W					
		5.5'	27.9	6.2	6.2					
		7'	17.2	8	8					
		8'	13.2	9.2	9.2					
		9'	10.4	10.4	10.4					
		10'	8.4	11.6	11.6					
		12'	5.9	13.8	13.8					

### CCT Multipliers – 90CRI

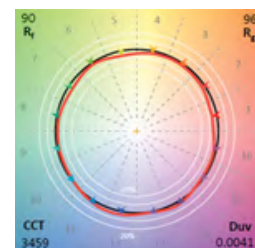
2700K	3000K	3500K	4000K
0.95	0.99	1.00	1.00

Multipliers for relative lumen values with other color temperatures.

Note: Refer to IES files for more product data.

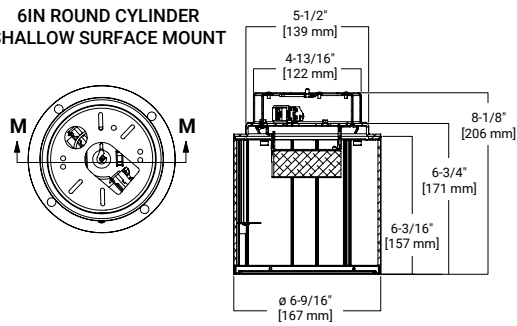
### Color Metrics - TM-30-15 & CRI/CIE

TM-30-15	R <sub>f</sub> = 90
	R <sub>g</sub> = 96
CRI/CIE	R <sub>a</sub> = 91.8
	R <sub>9</sub> = 55.8

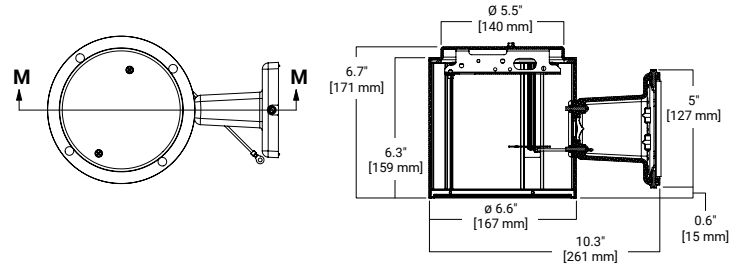


## Dimensional and Mounting Details

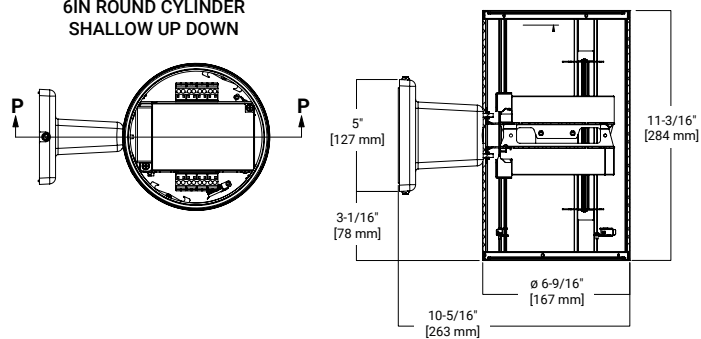
**6IN ROUND CYLINDER  
SHALLOW SURFACE MOUNT**



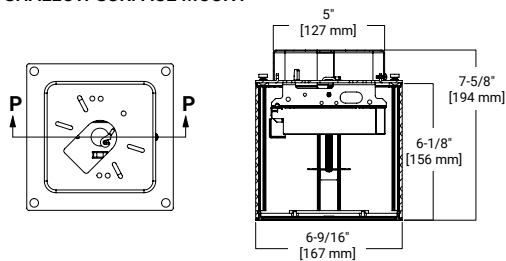
**6IN ROUND CYLINDER  
SHALLOW WALL MOUNT**



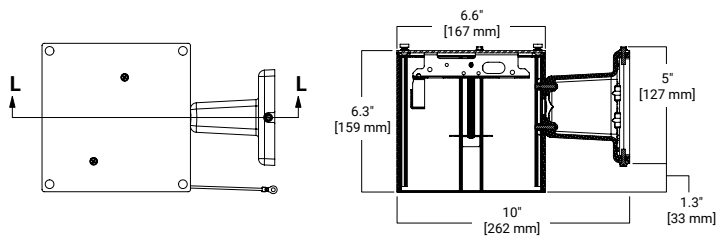
**6IN ROUND CYLINDER  
SHALLOW UP DOWN**



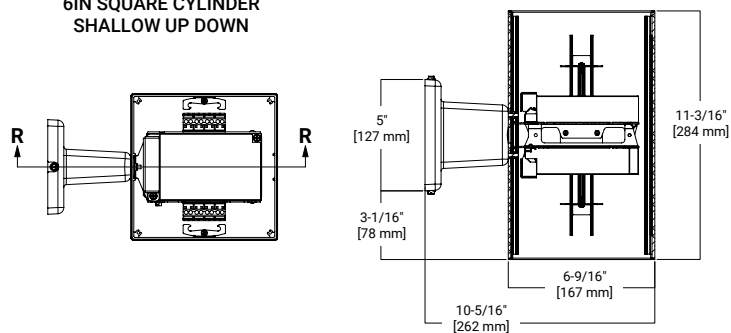
**6IN SQUARE CYLINDER  
SHALLOW SURFACE MOUNT**



**6IN SQUARE CYLINDER  
SHALLOW WALL MOUNT**

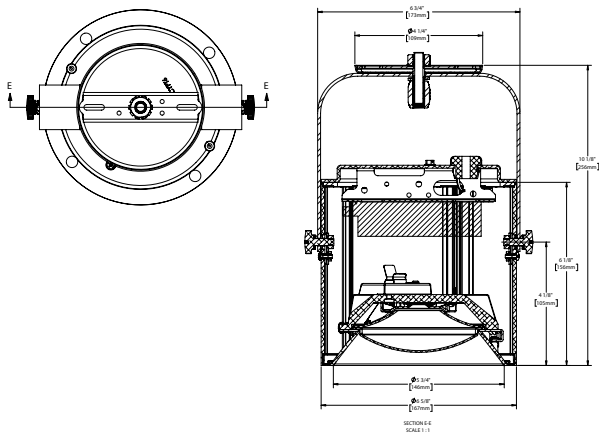


**6IN SQUARE CYLINDER  
SHALLOW UP DOWN**

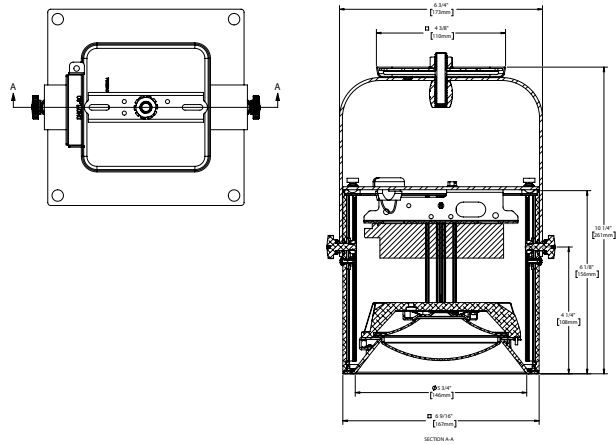


## Dimensional and Mounting Details

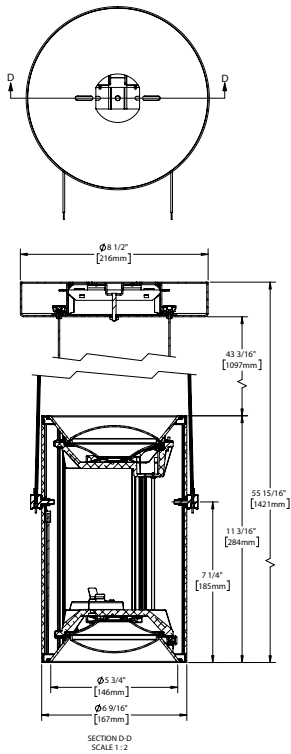
6IN ROUND CYLINDER  
SHALLOW YOKE MOUNT



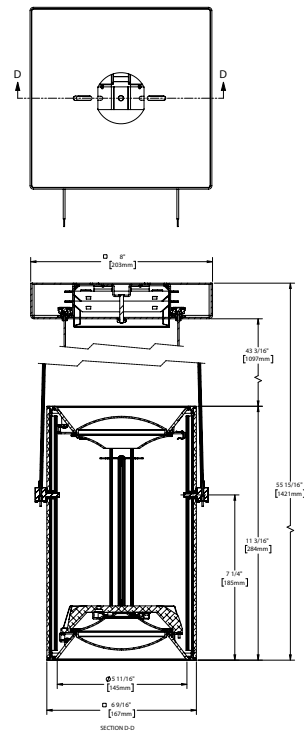
6IN SQUARE CYLINDER  
SHALLOW YOKE MOUNT



6IN ROUND CYLINDER SHALLOW  
POWER CORD UP DOWN PENDANT DRIVER



6IN SQUARE CYLINDER SHALLOW  
POWER CORD UP DOWN PENDANT DRIVER



## Connected Systems

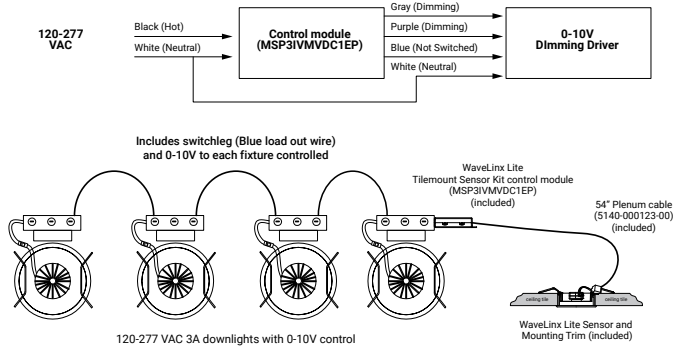
### WaveLinx Lite - WTK Tilemount Sensor



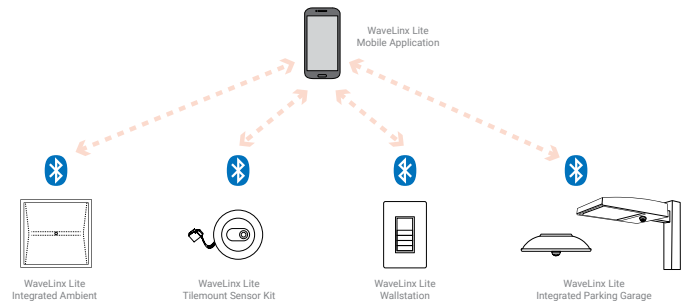
- Intuitive Android™ or Apple® iOS® app for basic system code compliant set up and configuration via Bluetooth
- Up to 28 unique areas per project site (WaveLinx Lite Bluetooth network)
- Up to 50 devices for an area, any one of 16 control zones, up to 6 occupancy sets, and custom lighting scenes
- Automatic occupancy or vacancy, sensor sensitivity, daylight dimming, etc. configurable through the app
- Refer to the WaveLinx system specifications for details



#### WaveLinx Lite WTK Tilemount Wiring Diagram



#### WaveLinx Lite Bluetooth Enabled System



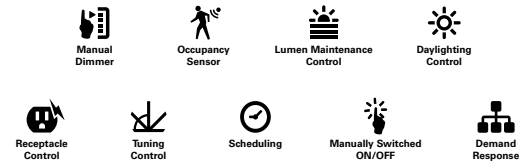
### WaveLinx Wireless – WTA Tilemount Sensor



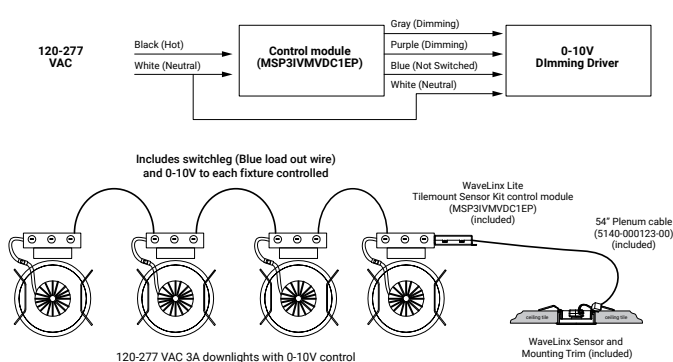
- WaveLinx Wireless functionality configures zones and customizes settings from one secure mobile app
- Automatic code commissioning that meets the strictest codes
- Fixtures and sensors integrate with Wireless Area Controller, Wall Stations, and Control Devices
- Stand-Alone Offices or Entire Building Network Installations



#### WaveLinx mobile app settings



#### WaveLinx Lite WTA Tilemount Wiring Diagram



#### WaveLinx Wireless Trellix Building Management Integration

