

Project		Catalog #		Type	
Prepared by		Notes		Date	



# WaveLinx

## CAT Dimming Switchpack (RSP-C-\*-\*)

Relay Switchpack with 0-10V control and 24VDC power output to power the CAT bus

### Typical Applications

Office • Education • Healthcare • Hospitality • Retail

### Interactive Menu

- Order Information page 2
- Additional Resources page 3
- Wiring Diagrams page 4
- Connected Systems page 5
- Product Warranty

### Product Certification\*



- Meets latest ASHRAE 90.1 - 2019 requirements
- Meets latest IECC - 2021 requirements
- Meets latest Title 24 - 2019 requirements
- Manufactured in an ISO 9001 certified factory

### Product Features



### Compatibility



## Overview

The CAT Dimming Switchpack (RSP-C-\*-\*) is used to switch (on/off) loads via an internal 20amp latching relay designed with robust protection. It also offers continuous 0-10V dimming control of LED and non LED loads. Finally, the CAT Dimming Switchpack provides power to the CAT bus by transforming Class 1 line voltage (120/277VAC or 347VAC) to Class 2 low voltage (24 VDC).

## Product Features & Benefits

- **20A, 277V (OR 16A, 347V) Latching Relay** - Allows to turn on/off LED or non LED loads and receptacle control
- **0-10V dimming with 30mA sink** - Allows to raise and dim fixtures powered with 0-10V drivers
- **24VDC output power with 350mA** - Powers the CAT bus and up to 40 CAT devices
- **Digital communication over CAT** - Enables remote configuration of the device settings such as zone assignment via WaveLinx apps (mobile or web-based apps)

product diagrams

## Order Information

## Catalog Number

Catalog Number	Description
RSP-C-010-Z1	WaveLinx CAT RSP-C Relay Switchpack - Zone 1
RSP-C-010-Z2	WaveLinx CAT RSP-C Relay Switchpack - Zone 2
RSP-C-010-Z3	WaveLinx CAT RSP-C Relay Switchpack - Zone 3
RSP-C-010-Z4	WaveLinx CAT RSP-C Relay Switchpack - Zone 4
RSP-C-ZR	WaveLinx CAT RSP-C Relay Switchpack - Zone Receptacle
RSP-C-347-Z1	WaveLinx CAT RSP-C 347V Switchpack - Zone 1

## Required Accessory

The WaveLinx CAT network requires termination of the local CAT bus network on both ends.

## Catalog Number

Catalog Number	Description
ACC-C-TP-6PK	ACC-C Canbus Termination Plug - 6PK

## Optional Accessories

## Catalog Number

Catalog Number	Description
GGRJ45-03-G	RJ45 cables 3 feet
GGRJ45-10-G	RJ45 cables 10 feet
GGRJ45-25-G	RJ45 cables 25 feet
GGRJ45-50-G	RJ45 cables 50 feet
GGRJ45-100-G	RJ45 cables 100 feet
GGRJ45-10P-G	RJ45 cables 10 feet plenum rated
GGRJ45-25P-G	RJ45 cables 25 feet plenum rated
GGRJ45-50P-G	RJ45 cables 50 feet plenum rated
GGRJ45-100P-G	RJ45 cables 100 feet plenum rated

## Product Specifications

### Mechanical

**Size:** 4.3" x 3.6" x 1.7" (109.4mm x 91.31mm x 42.64mm)

**Weight:** 0.25 lbs (0.113 kg)

**Mounting:** Extended Chase Nipple

**Color:** Black

### Environmental:

- **Operating temperature:** 32°F to 122°F (0°C to 50°C)
- **Operating relative humidity:** 5% to 85% non-condensing
- **Storage temperature:** -22°F to 158°F (-30°C to 70°C)
- For indoor use only

### Electrical

#### Input:

- 120/277VAC +/- 10% 47-63Hz
- 120/277/347VAC +/- 10% 47-63Hz

#### Output:

- 24VDC, 350mA out on CAT Network
- Switched: Latching, NEMA 410 rated
  - 20A, 277V General Purpose
  - 16A, 347V General Purpose
  - 16A, 347V Standard Ballast
  - 16A, 347V Electronic Ballast
- 30mA, 0-10VDC Dimming Sink Current
- SCCR rating: 5kA
- Isolated Form C Relay: 1A, 30V AC/DC

#### Wiring:

- 0-10V positive: 18AWG stranded (Violet)
- 0-10V negative 18AWG stranded (Pink)
- AC Line In: 12AWG stranded (Black)
- AC Line Out: 12AWG stranded (Blue)
- AC Neutral In 12AWG stranded (White)

### Network connection:

- 2 X RJ-45 connector for CAT5 Solid Copper cables
- T568B pin/pair assignment is recommended for all CAT5 cables

### Standards/Ratings\*

- cULus Listed - Energy Management Equipment (UL916)
- UL Listed (UL508)
- FCC Part 15, Part B
- Manufactured in an ISO 9001 certified factory
- Meets latest ASHRAE 90.1 - 2019 requirements
- Meets latest IECC - 2021 requirements
- Meets latest Title 24 - 2019 requirements
- Plenum UL2043
- Chicago Plenum rated
- WaveLinx CAT is DLC Listed for interior applications - meeting the NLC5 Technical Requirements

### Environmental Regulations:

- RoHS

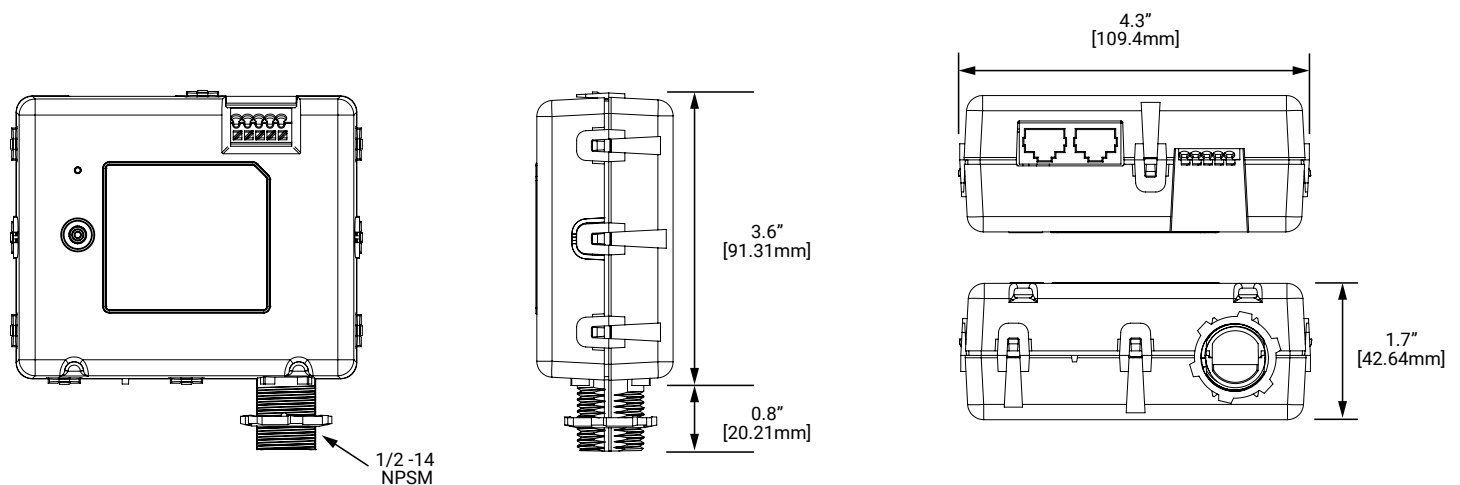
### Warranty

Five year warranty standard

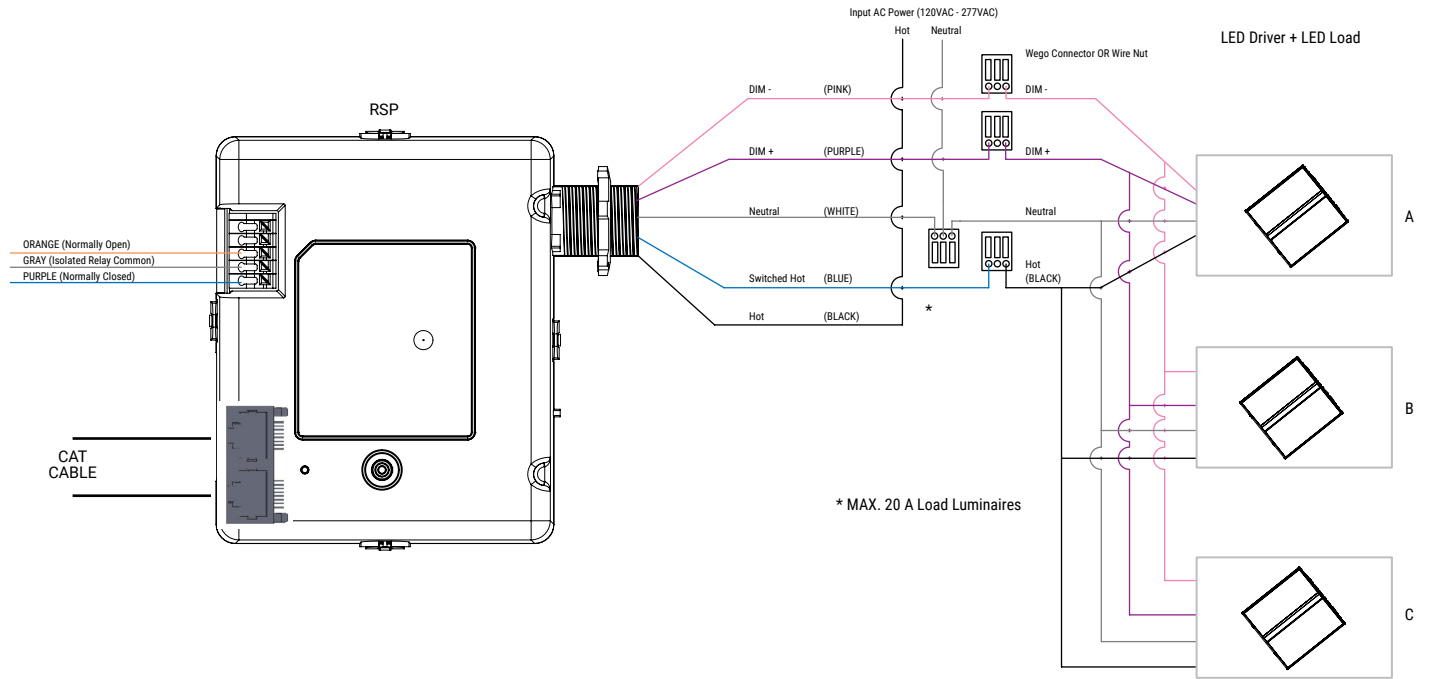


Download the WaveLinx CAT Mobile Application from either the Google Play or Apple Store®

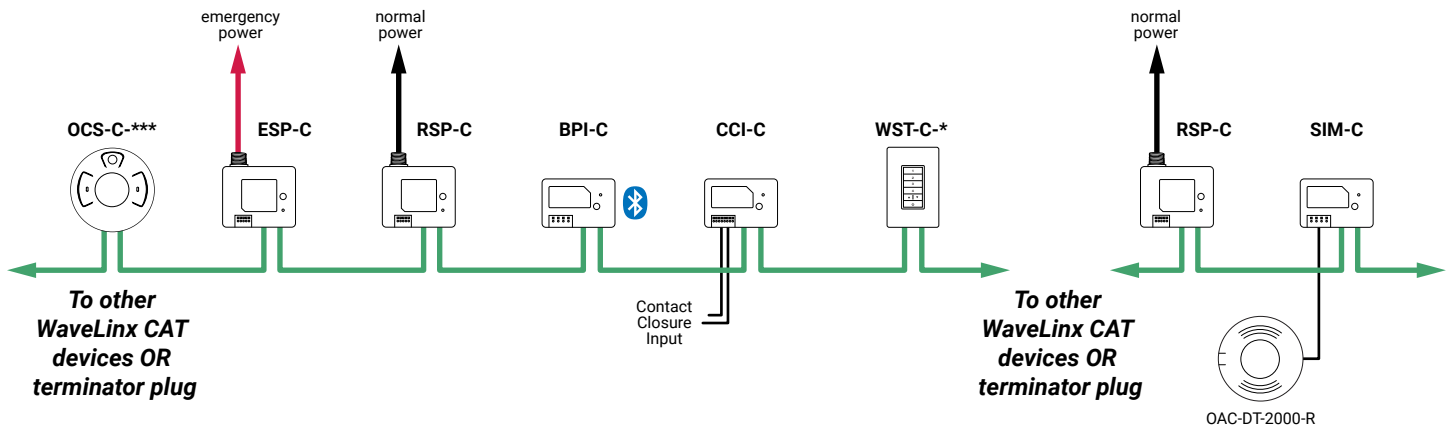
## Dimensional Details



## Wiring Diagrams



## Typical Topology



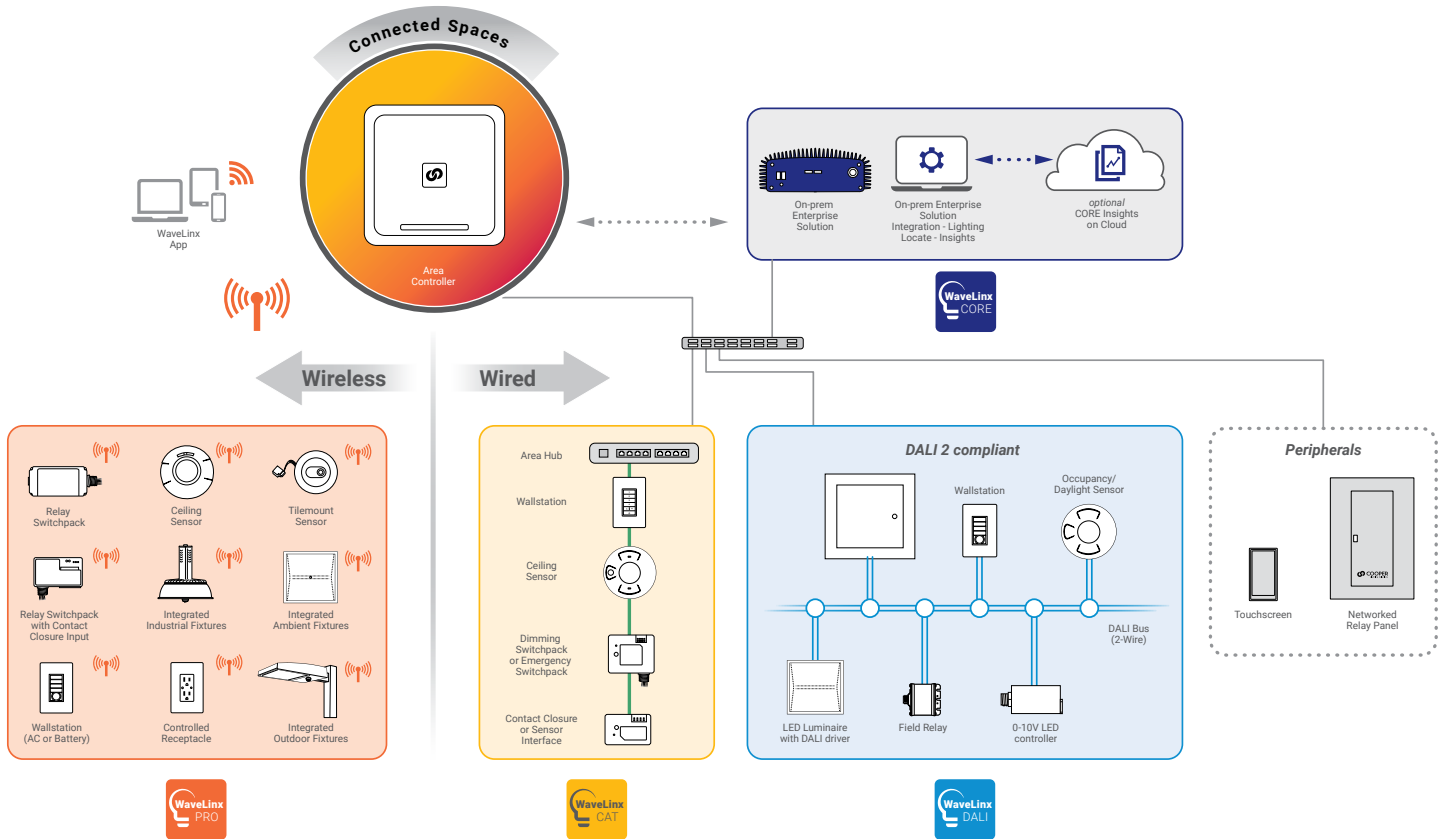
## System Diagram:

This diagram shows the main components of the WaveLinx connected lighting system with CAT and PRO devices. The PRO devices communicate using wireless mesh technology based on the IEEE 802.15.4 standard. A PoE LAN connection for each WaveLinx Area Controller (WAC) is required for power and data access to the building lighting network. The CAT devices communicate over the category 5 based communication bus and control the light fixtures using a relay (on/off) and 0-10V output (dim/raise). WaveLinx DALI devices communicate via a DALI bus (2 wires, 16 AWG x2), which connects various components including DALI fixtures, a DALI DAC (DALI to 0-10V converter), DALI field relays, DALI wallstations, and DALI occupancy sensors. WaveLinx Area Controllers (WAC) communicate with WaveLinx CORE Apps over the Ethernet network.

[View WaveLinx PRO Network and IT Guidance Technical Guide](#)

## WaveLinx

Digital Lighting Control Solutions



**Control Systems**  
• WaveLinx