

# COOPER LIGHTING SOLUTIONS - ALL-PRO™

## DESCRIPTION

The ALL-PRO™ LED Outdoor Security series is designed to provide superior security with the sustainability of LED Technology. Designed for performance with a refined look, the durable die-cast aluminum construction and innovative LED design come in a full range of styles and lumen outputs to match all outdoor security needs. The patent pending products can be wall or eave mounted for entry ways, garage and corners. ALL-PRO™ LED outdoor security lighting provides the safety of super bright lighting, energy savings up to 90%, and the convenience of one-time installation without re-lamping.

Catalog #		Type
Project		
Comments		Date
Prepared by		

## SPECIFICATION FEATURES

### Construction

- Durable die-cast aluminum housing suitable for wet locations
- Powder coated bronze or white finish
- Powder coated aluminum reflector for maximum LED light output
- Tool-less head and motion sensor adjustment
- UV stable polycarbonate lens
- Suitable for wall or eave mounting using recessed junction box
- Adapter plate included for easy recessed junction box mounting

### Electrical

- 120VAC, 60Hz
- Maintenance-free LEDs with 70,000 hours of life
- Fixture operating temperature range from -30°C to 40°C
- cULus listed for wet locations
- External supply wiring 75°C minimum
- Motion sensor detects motion in 180° or 270° up to 70 feet
- Selectable timer to keep floodlights on up to 12 minutes
- Adjustable sensitivity

- Integral photocell prevents lights from turning on with motion during daylight hours
- Manual override allows fixture to operate as a standard floodlight for up to 6 hours

### Optics

- Precision optics for maximum efficiency
- 5000K color temperature

### Warranty

- 5 year limited warranty

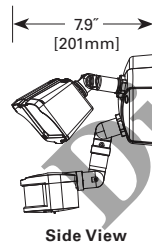
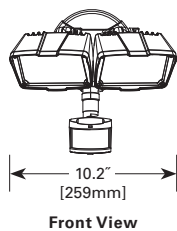


## LED MOTION SERIES

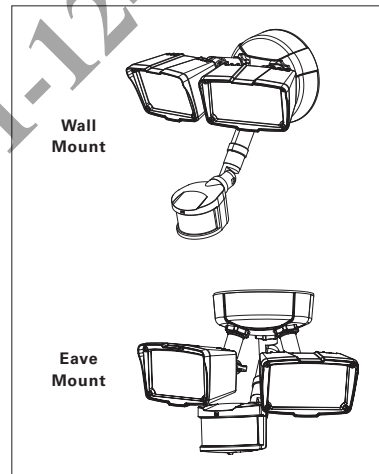
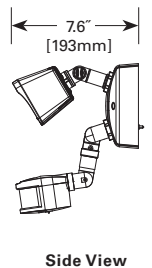
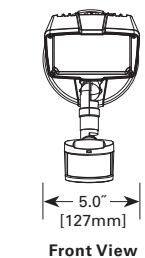
LED Twin Head  
LED Small Single Head

## DIMENSIONS

### TWIN



### SMALL SINGLE



## ORDERING INFORMATION

Model	Product Description	Motion Range	Finish
MSS11315LES	Single Head LED with Motion Sensor	180°	Bronze
MST18920L	Twin Head LED with Motion Sensor	180°	Bronze
MST18920LW	Twin Head LED with Motion Sensor	180°	White
MST27920LES	Twin Head LED with Motion Sensor	270°	Bronze

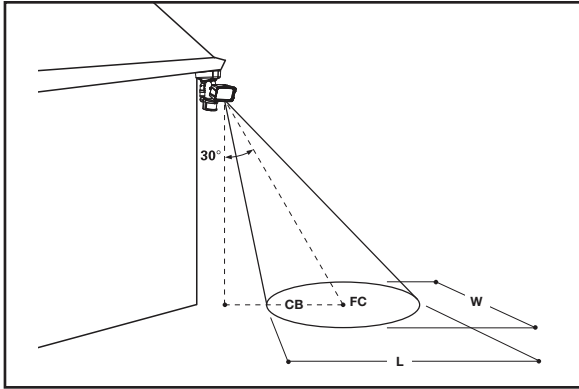
### CERTIFICATION DATA

cULus Wet Location Listed  
Lighting Facts® Approved

### TECHNICAL DATA

120V only  
-30°C to 40°C Temperature Rating  
External Supply Wiring 75° Minimum  
Wall and Eave Mount

PHOTOMETRICS



Note: Specifications and Dimensions subject to change without notice.

Footcandle (FC) Table

Mounting Height	Twin Head			Small Single		
	FC	Length (L)	Width (W)	FC	Length (L)	Width (W)
8 ft.	15	13	16	12	12	17
10 ft.	9	17	20	8	15	22
12 ft.	6	20	24	5	18	26
15 ft.	4	26	30	3	23	32

Note: Data is for Single Head Bronze fixture at a typical mounting angle of 30°

Technical Information

	Voltage (V)	Power (W)	Delivered Lumens	Efficacy (Lum/Watt)	LED Color Temperature (K)	CRI
MSS11315LES	120	20.5	1475	72.0	5000K	75
MST18920L	120	31.1	2090	67.2	5000K	73
MST18920LW	120	31.1	2200	70.7	5000K	73
MST27920LES	120	31.1	2400	77.2	5000K	73