

|             |  |           |  |      |  |
|-------------|--|-----------|--|------|--|
| Project     |  | Catalog # |  | Type |  |
| Prepared by |  | Notes     |  | Date |  |



## WaveLinx Wired

### NS3-C-NA Recessed Combination Sensor

Excellent sensitivity to small movements using Quad-Pyro technology

#### Typical Applications

Office • Education • Healthcare • Hospitality • Retail  
Industrial • Manufacturing

#### Interactive Menu

- Order Information [page 2](#)
- Additional Resources [page 3](#)
- Connected Systems [page 5](#)
- Product Warranty

#### Product Certification



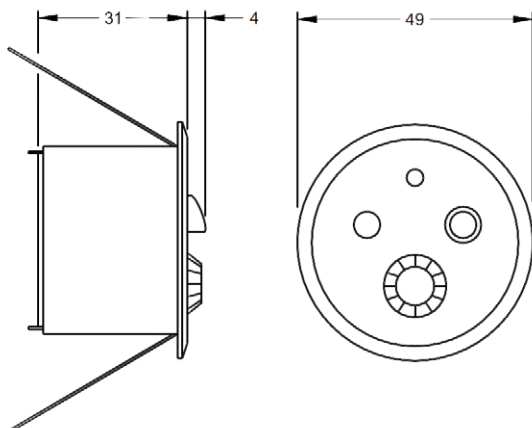
#### Product Features



#### Top Product Features

- Greater sensor stability with reduced noise susceptibility 360 degree detection area
- Ceiling flush mounted for a low profile, unobtrusive installation
- Compact 1.9 in (49mm) diameter size for recessed installation
- Connect directly to the WaveLinx Wired lighting system via CAN terminals
- Features three functions: PIR motion detection daylight measurement and an infrared (IR) receiver which can be programmed with WaveLinx Wired software
- Coverage of up to 27.8 ft (8.5m) diameter depending on installation height with PIR detection optimized for slight motion for superior performance

#### Dimensional and Mounting Details



## Order Information

Catalog Number

| Catalog Number | Description                 |
|----------------|-----------------------------|
| NS3-C-NA       | Recessed Combination Sensor |

## Optional Accessory

Catalog Number

| Catalog Number | Description    |
|----------------|----------------|
| HH17IR         | Remote Control |

## Product Specifications

## Key Features

- The NS3-C-NA sensor can be connected directly to the WaveLinx Wired lighting system via CAN terminals
- Features three functions: PIR motion detection, daylight measurement and an infrared (IR) receiver. All three functions may be programmed within the WaveLinx Wired software according to specific user needs
- Sensor features a coverage of up to 27.8 ft (8.5m) diameter depending on installation height with PIR detection optimized for slight motion for superior performance
- PIR feature may be set in Manual or Automatic On with a custom time-out setting
- Daylight feature is used to set light levels where daylighting is required
- In Operational Mode the infrared receiver may select Scenes, turn lighting ON/OFF and adjust levels locally with the WaveLinx Wired IR Handheld Remote (HH17IR)
- The NS3-C-NA sensor's combined features ensure maximum energy savings as well as great flexibility for the user
- Excellent sensitivity to small movements using Quad-Pyro technology
- Greater sensor stability with reduced noise susceptibility 360° detection area
- Ceiling flush mounted for a low profile, unobtrusive installation
- Compact 1.9" (49mm) diameter size for recessed installation
- Connects directly to the WaveLinx Wired lighting system

## Mechanical

**Size:** 1.93" x 1.54" x 1.18" (49mm x 39mm x 30mm)

**Weight:** 1.2 oz (35g)

## Environment:

- **Operating temperature:** 32°F to 113°F (0°C to 45°C) non-condensing
- For indoor use only

**Mounting:** 2 x Spring Clip

**Mounting Hole Diameter:** 1.6 - 1.7" (40 - 45mm) diameter depending on ceiling material

**Mounting Height:** 11 ft (3.4m)

**Housing:** Circular plastic housing UL94 V0 rated

## Electrical

**Power supply:** 9 - 24 VDC (Regulated)

**Load Data:** 10mA @ 15V

**Voltage:** PELV

## Operating Parameters

- Connects directly to the WaveLinx Wired lighting system
- Controls any luminaire anywhere on the system
- Occupancy and Vacancy support
- Light thresholds, Scenes and time-outs programmed and adjusted at any time in software
- Built-in flexibility to suit individual user requirements

## Standards/Ratings

- cULus Listed

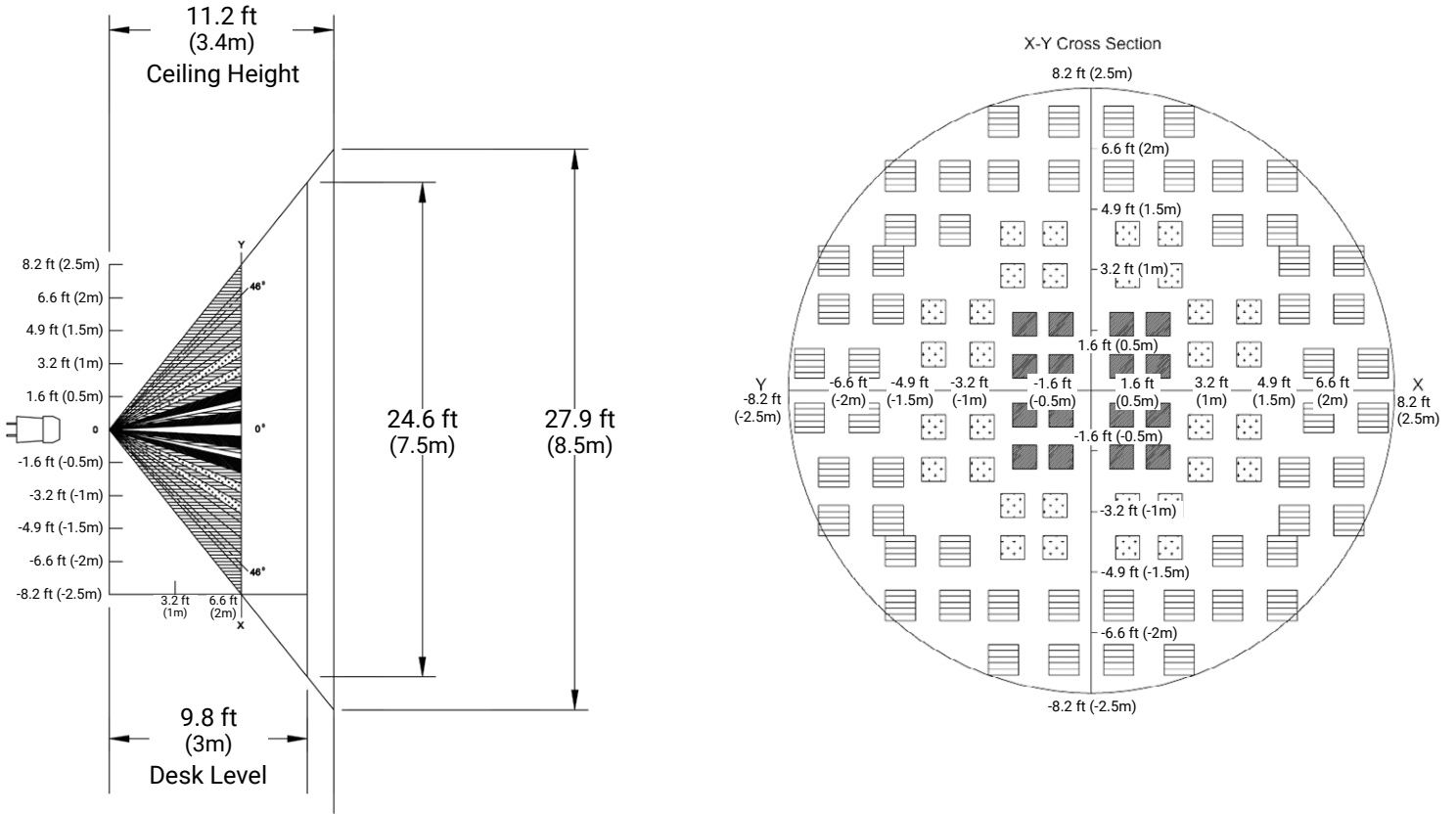
## Warranty

Five year warranty standard

## Field of View

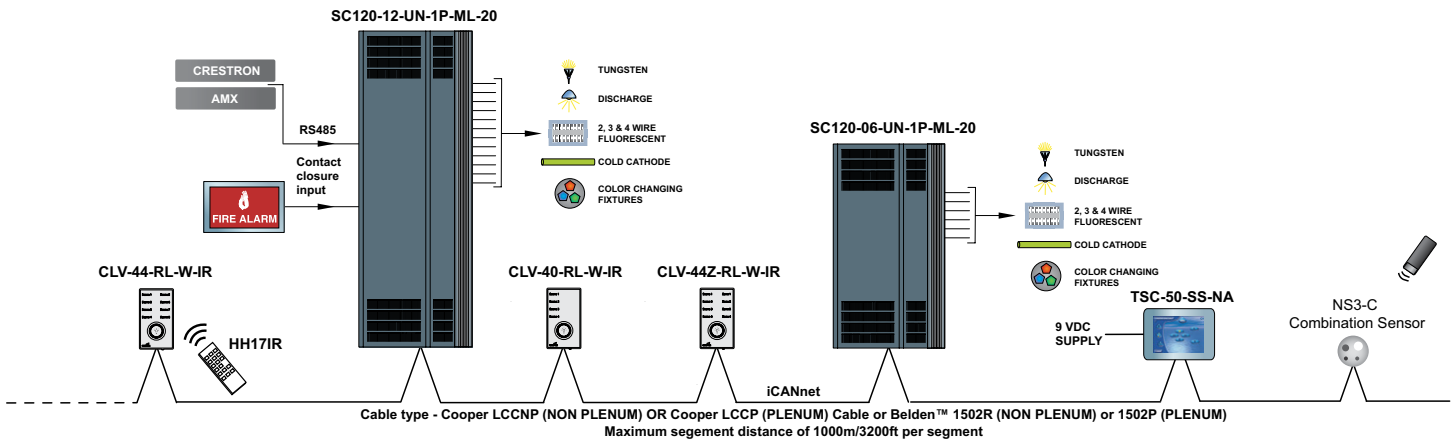
The differences in the detection zone patterns are indicative of the projections of the 26 lenses with single focal point and with three optical axis. An object whose temperature differs from the background temperature and which crosses inside the detection zone will be detected.

Detection range is typically calculated at the working plane 3 ft (900mm) off the floor.



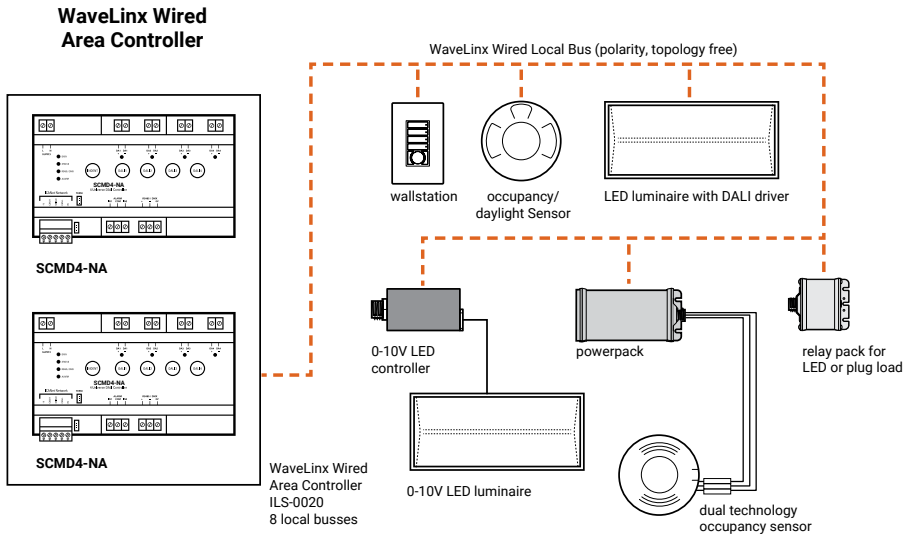
Detection Area - Zone patterns at the optimal slight motion detection distance of 6.6 ft (2m) from sensor.

## Typical schematic

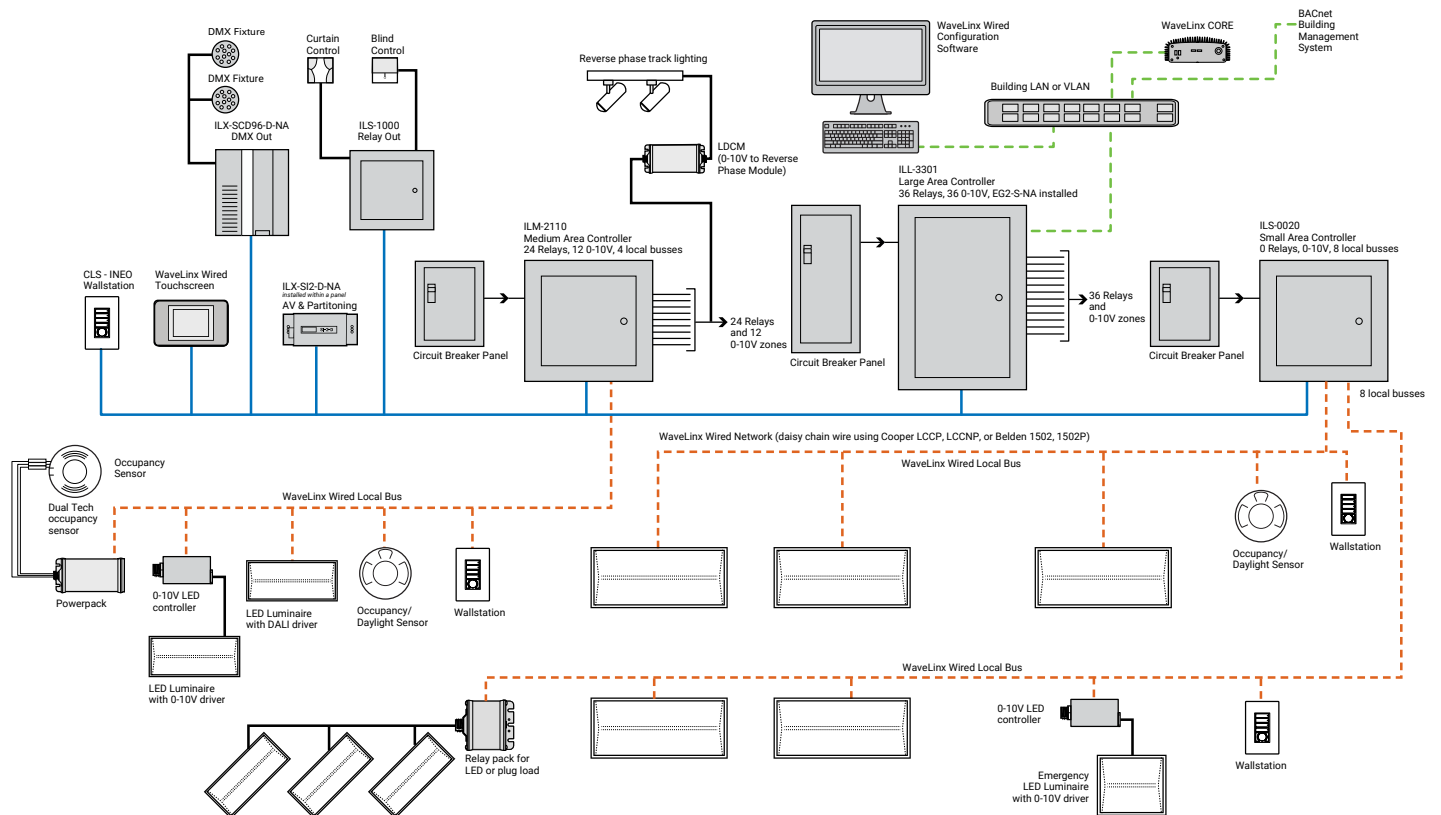


## System architecture

Simple WaveLinx wired system



## Complete WaveLinx wired system



## Sample System Topology:

This diagram shows the main components of the WaveLinX wired and PRO wireless connected lighting system.

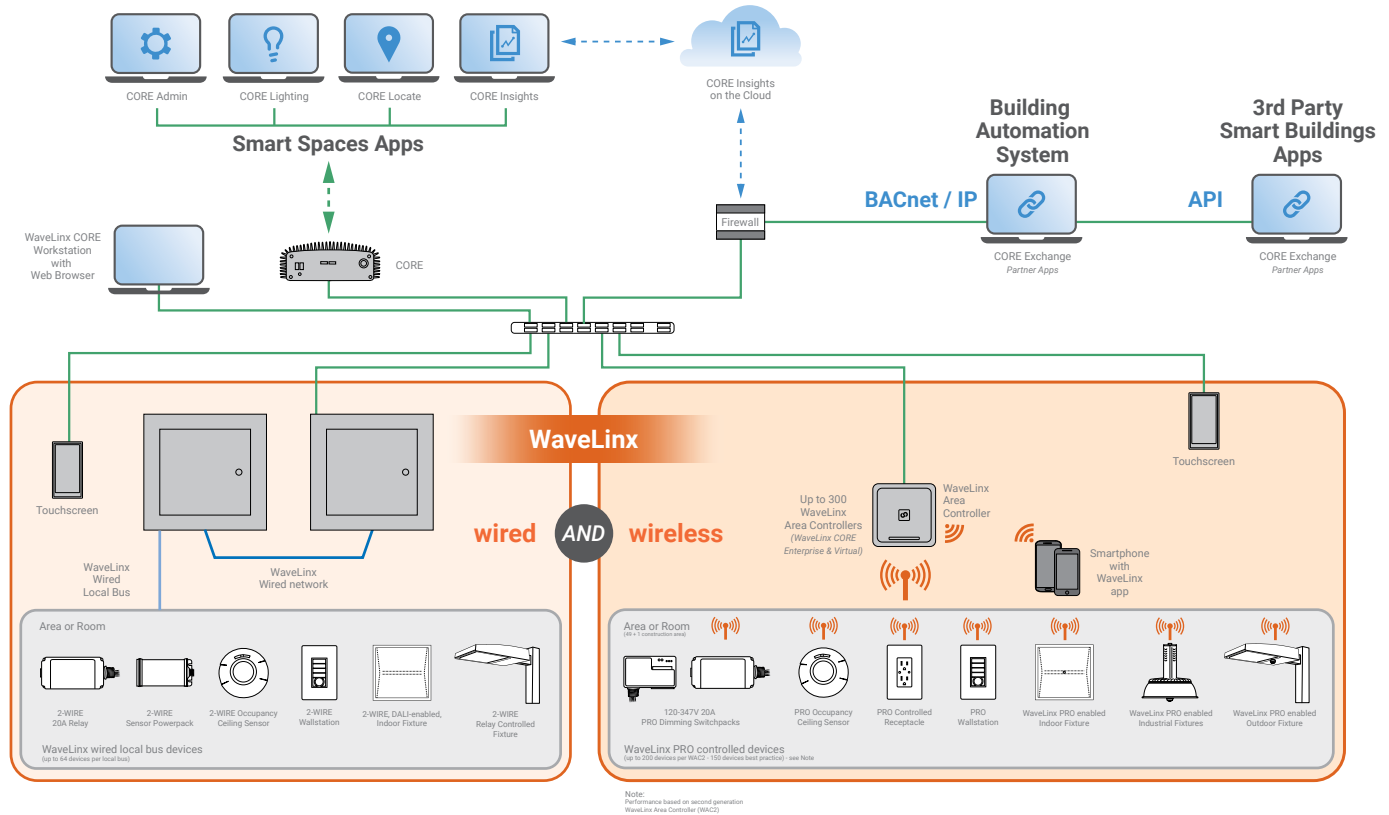
The **WaveLinX PRO wireless system** communicates using wireless mesh technology based on the IEEE 802.15.4 standard. A PoE LAN connection for each WaveLinX Area Controller (WAC) is required for power and data access to the building lighting network.

The **WaveLinX wired system** controls the devices using relay, 0-10V, DMX and the WaveLinX wired digital local bus. The WaveLinX wired system connects to the building LAN using the EG2 module. Each WaveLinX wired area controller communicates on the WaveLinX wired network.

WaveLinX Area Controllers (WAC) and WaveLinX Ethernet Gateways (EG2) communicate with WaveLinX CORE over the Ethernet network.

Please refer to the WaveLinX PRO Wireless Network and IT Guidance Technical Guide and WaveLinX Wired Network and IT Guidance Technical Guide for more information.

[View WaveLinX Network and IT Guidance Technical Guide](#)



## Control Systems

- WaveLinX
- WaveLinX wired
- VividTune