



Portfolio

LD2 | LDA2 2-inch LED

Downlight and Adjustable

2 inch





Specification grade small aperture product family combining energy efficiency with superior cutoff, optical performance and control for Architectural applications. This complete family, designed for glare free illumination from recessed downlights and cylinders, is complimented by directional/accent and wall wash luminaires to consistently complete all spaces. Comprehensive line includes a multitude of driver options, color temperature, CRI, beam distributions and reflector finishes. The small aperture is available with a flangeless trim for mud in applications creating a architecturally pleasing, seamless installation.

Imagine the possibilities.....

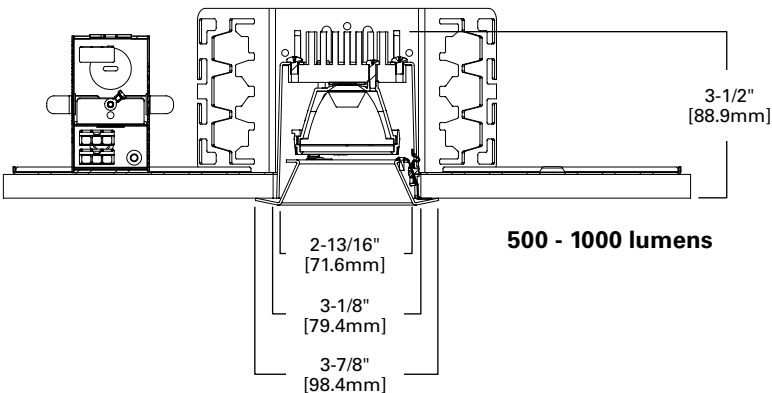
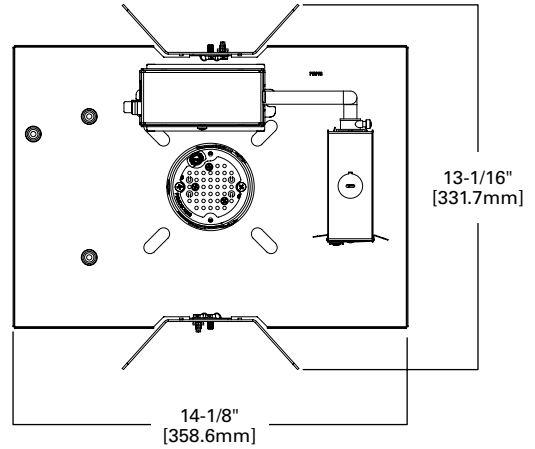
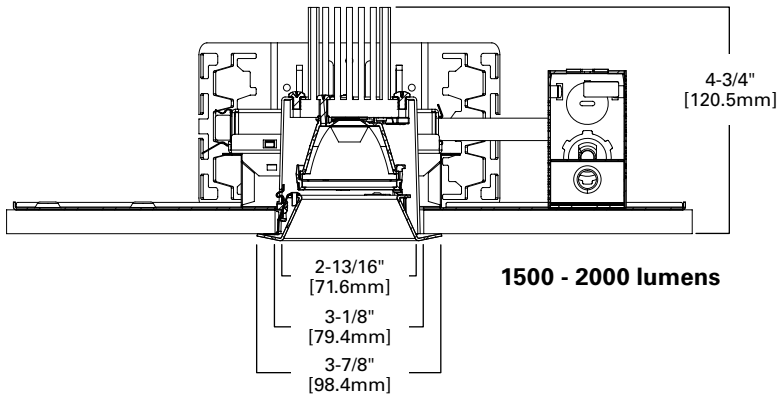
2 Inch

LED Downlight

New construction or below ceiling installation delivering >100 lumens per watt for 2X4 and 2X6 construction. Offered in four distributions providing superior light control with low aperture brightness. Choice of 6 color temperatures in 80, 90 and 97 CRI to meet all application requirements. Standard 0-10V driver dims to 1% and offered with many optional drivers providing ultimate control. The small round aperture is available with a flangeless trim for mud in applications creating a architecturally pleasing, seamless installation.



New Construction



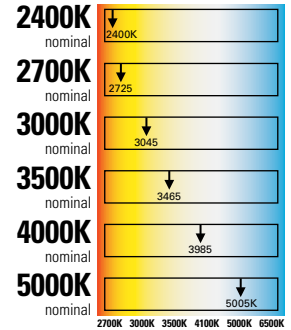
Features and Benefits

- Delivered lumens ranging from 500 to 2000
- Available in 2400K, 2700K, 3000K, 3500K, 4000K, or 5000K
- 80, 90 or 97 CRI
- Color variation within 3-step MacAdam ellipses
- 15°, 25°, 40°, or 55° optics produce a smooth distribution
- Standard 0-10V 1% dimming driver
- Optional dual dimming driver, 0-10V or trailing edge
- Optional 100%-0% Fifth Light, 0-10V, or DMX dimming drivers

- ENERGY STAR® qualified with select trims and CCT
- Downlights are cULus listed for protected damp locations
- Lensed trims are cULus listed for wet locations
- Photometric testing completed in accordance with IES LM 79 standards
- L70 at 50,000 hours, projected in accordance with IES TM-30
- 5 year warranty



Can be used to comply with California Title 24 High Efficacy requirements. Certified to California Title 20 Appliance Efficiency Database.



Ordering Information:

Order Housing, Power Module, Trim and Accessories Separately

Sample Number: LD2B15D010

Housing	Lumens ¹	Voltage	Driver	Options
LD2B =New Construction Downlight 2" 2000 lumen	5=500 lumens 10=1000 lumens	Blank =120-277V	500 - 2000 Lumens D010 =0-10V Dimming, 1% to 100%, 120V-277V DLV =Low voltage dimming driver (1-100%) for use with DLVP system ⁶ 1000 - 2000 Lumens D010TR =0-10V or Line Voltage Dimming, 1% to 100%, 120V-277V DE010 =0-10V Linear Dimming, 0% to 100%, 120V-277V ⁶ D5LT =Fifth Light ⁸ (DALI) Dimming, 0% to 100%, 120V-277V ⁶ DMX =DMX/RDM Logarithmic Dimming, 0% to 100%, 120V-277V ^{6,9} DL2 =Lutron [®] Hi-Lume Forward Phase Dimming, 1% to 100%, 120V Only ⁶ DLE =Lutron Ecosystem dimming 1% to 100%, 120V-277V ⁶	EMBOD =Bodine [®] Emergency Module with Remote Test Switch ⁵ EM7 =7W Emergency Module with Remote Test Switch ⁵ EM14 =14W Emergency Module with Remote Test Switch ⁵ EMV7 =7W Low Voltage Emergency Module with Remote Test Switch ⁵ EMV14 =14W Low Voltage Emergency Module with Remote Test Switch ⁵ SWPD1 =Factory installed WaveLinX tilemount daylight sensor (includes control module, sensor, cable, and tile mount) ^{6,10} LWTPD1 =Factory installed LumaWatt Pro wireless sensor kit ^{6,10}
LDRT2B =Remodel Downlight 2" 500-1500 lumen	15=1500 lumens 20=2000 lumens			
LD2BCP =LED Downlight 2" Nominal Aperture, Chicago Plenum ¹²				

Sample Number: EU2B158035

Power Module	Lumen Level / Distribution / Optic	CRI	Color
EU2B =2" Universal LED Module	05SP15 =500 lumen 15° IC Rated 05WW =500 lumen wall wash IC Rated ⁸ 10SP15 =1000 lumen 15° IC Rated 10WW =1000 lumen wall wash Non-IC Rated ⁸ 0510NFL25 =500 and 1000 lumen 25° IC Rated 0510FL40 =500 and 1000 lumen 40° IC Rated 0510WFL55 =500 and 1000 lumen 55° IC Rated 15SP15 =1500 lumen 15° Non IC Rated 15NFL25 =1500 lumen 25° Non IC Rated 15FL40 =1500 lumen 40° Non IC Rated 15WFL55 =1500 lumen 55° Non IC Rated 15WW =1500 lumen wall wash Non IC Rated ⁸ 20SP15 =2000 lumen 15° Non IC Rated 20NFL25 =2000 lumen 25° Non IC Rated 20FL40 =2000 lumen 40° Non IC Rated 20WFL55 =2000 lumen 55° Non IC Rated	80 =80 CRI minimum 90 =90 CRI minimum 97 =97 CRI minimum	80 CRI 27=2700K 30=3000K 35=3500K 40=4000K 50=5000K
		90 CRI 24=2400K 27=2700K 30=3000K 35=3500K 40=4000K 50=5000K	97 CRI 27=2700K 30=3000K
		Dim to Warm 10NFL259030D2W =1000 lumen 25° IC Rated 15NFL259030D2W =1500 lumen 25° Non-IC 10FL409030D2W =1000 lumen 40° IC Rated 15FL409030D2W =1500 lumen 40° Non-IC 10WFL559030D2W =1000 lumen 55° IC Rated 15WFL559030D2W =1500 lumen 55° Non-IC	

Sample Number: 2LBD1L1

Trim	Reflector	Flange	Finish
2LB =2" LED	D =Round downlight spun reflector SW =Round lensed Wall Wash, Spun Aluminum, Splay black occlus SWW =Round lensed Wall Wash, Spun Aluminum, Splay white occlus DL =Round Downlight lensed spun reflector DC =Round Cast Downlight ² DLC =Round Lensed cast downlight ² PIN =Round Pinhole downlight black occlus ⁵ PINW =Round Pinhole downlight white occlus ⁵ DSQC =Square Cast Downlight ² DSQLC =Square Lensed cast shallow downlight ²	1 =Self-flanged ⁷ 2 =White Painted Self-flanged ¹¹ 3 =Rimless ³ Blank =Pinhole	L =Specular Clear ⁴ H =Semi-Specular Clear ⁴ WMH =Warm Haze ⁴ WH =Wheat ⁴ GPH =Graphite Haze ⁴ B =Specular Black ⁴ MW =Matte White MB =Matte Black ³ MMS =Matte Metallic Silver ³

Accessories

RPR2 =Round plaster lathing ring (order with rimless option)	L100 lenses - optical lenses L110N =Diffuse Sandblasted Lens: Provides an even beam spread - especially useful in wall washing. L111 =Soft Focus Lens: Smooths irregular beam pattern while maintaining high controlled illumination levels and beam angles. L113 =Prismatic Spread Lens: Provides a symmetrical broadening of lamp beam. Suitable when a wide, uniform light distribution is required. L115 =Linear Spread Lens: Fans out the beam 55° (27-1/2° to each side) to produce a wide rectangular pattern. L100MB =Black finished metal hexagonal-cell louver - controls light spill while retaining lamp optics.
Bar Hangers HB26 =Pair C-channel bar hanger, 26" long RMB22 =Pair wood joist bar hanger 22" long	
Connected Lighting Systems PORLWTPD1 =LumaWatt Pro wireless sensor kit (0-10V only) field installed ^{6,10} TMSWPD1 =WaveLinX tilemount daylight sensor (includes control module, sensor, cable and tile mount) field installed ^{6,10}	

Notes: 1 Nominal Lumens will vary depending on selected distribution, color, driver and reflector finish.

- 2 Only available with Matte White, Matte metallic silver and Matte Black Finishes.
- 3 Available on DL and DLC.
- 4 Not available on DC or PIN.
- 5 Available matte white painted finish only, Flange designation should be blank.
- 6 DMX, D5LT, DE010, Lutron, connected and emergency module drivers require accessible ceiling.
- 7 Flange is the same finish as reflector.

8 Order with 2LBSW Wall Wash trim.

- 9 DMX fixtures default to full on upon loss of DMX signal.
- 10 Refer to system specifications for additional information, features, and benefits. Order either factory installed option or accessory. Use with 0-10V driver.
- 11 Not available with Wall Wash.
- 12 Limited to 1000 lumens.
- 13 Available with D010 driver only.

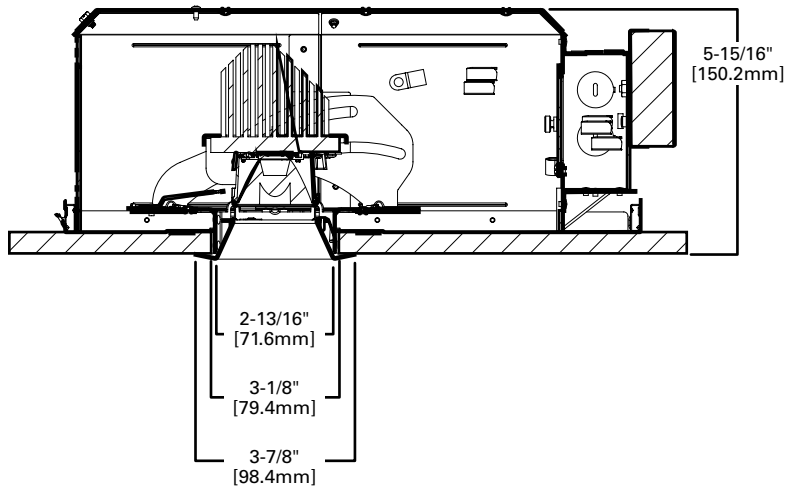
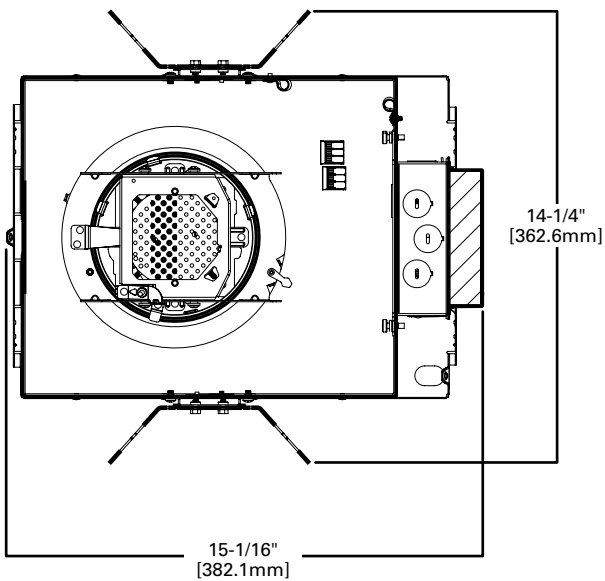
2 Inch

LED Adjustable Downlight

Portfolio 2-3/4 inch aperture adjustable accent/slope LED fixture for flat or sloped ceilings. Lockable 365° rotation and tool-less 45° tilt with center beam optics provides full output without flash back. Offered with 15°, 25°, 40°, 55° optic producing a smooth distribution. Available with lumen packages of 500 to 2000 with a choice of 2400K, 2700K, 3000K, 3500K, 4000K and 5000K color temperatures in 80, 90 or 97 CRI. Standard dimmable driver can be dimmed with 0-10V or trailing edge controls. Accessible from above or below the ceiling plane.



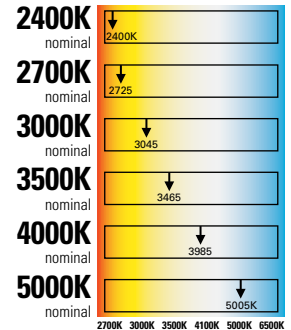
New Construction



Features and Benefits

- Delivered lumens ranging from 500 to 2000
- Available in 2400K, 2700K, 3000K, 3500K, 4000K, or 5000K
- 80, 90 or 97 CRI
- Color variation within 3-step MacAdam ellipses
- 15°, 25°, 40°, or 55° optics produce a smooth distribution
- Standard 0-10V 1% dimming driver
- Optional dual dimming driver, 0-10V or trailing edge
- Optional 100%-0% Fifth Light, 0-10V, or DMX dimming drivers

- ENERGY STAR® qualified with select trims and CCT
- Downlights are cULus listed for protected damp locations
- Lensed trims are cULus listed for wet locations
- Photometric testing completed in accordance with IES LM 79 standards
- L70 at 50,000 hours, projected in accordance with IES TM-30
- 5 year warranty



Ordering Information:

Order Housing, Power Module, Trim and Accessories Separately

Sample Number: LDA2B159030D010

Housing	Lumens ¹	Distribution	CRI	Color			Voltage
LDA2B=New Construction Adjustable 2" Nominal Aperture LDA2BCP=New Construction Adjustable 2" Nominal Aperture Chicago Plenum ¹¹	05=500 lumens 10=1000 lumens 15=1500 lumens 20=2000 lumens	SP=15° optic NFL=25° optic FL=40° optic WFL=55° optic Blank=no optic (order accessory reflector)	80=80 CRI minimum 90=90 CRI minimum 97=97 CRI minimum	80 CRI 27=2700K 30=3000K 35=3500K 40=4000K 50=5000K	90 CRI 24=2400K 27=2700K 30=3000K 35=3500K 40=4000K 50=5000K	97 CRI 27=2700K 30=3000K	Blank=120-277V
Driver				Options^{2, 10}			
D010=0-10V Dimming 1%-100%, 120-277V D010A=0-10V Dimming 1%-100%, 120-277V for installations with above ceiling access ¹⁰ D010TR=0-10V 120-277V Dimming 1%-100%, or 120V 5% line voltage dimming D010ATR=0-10V 120-277V Dimming 1%-100%, or 120V 5% line voltage dimming for installations with above ceiling access ¹⁰ DE010=0-10V Linear Dimming, 0% to 100%, 120V-277V ¹⁰ D5LT=Fifth Light® (DALI) Logarithmic Dimming, 0% to 100%, 120V-277V ¹⁰ DMX=DMX/RDM Logarithmic Dimming, 0% to 100%, 120V-277V ^{10, 6} DL2=Lutron® Hi-Lume Forward Phase Dimming, 1% to 100%, 120V Only ¹⁰ DLE=Lutron Ecosystem dimming 1% to 100%, 120V-277V ¹⁰ DLV=Low voltage dimming driver 1-100% for use with DLVP system ¹⁰				EMB0D=Bodine® Emergency Module with Remote Test Switch ¹⁰ EM7=7W Emergency Module with Remote Test Switch EM14=14W Emergency Module with Remote Test Switch (not for use with DLVP driver) EMV7=7W Low Voltage Emergency Module with Remote Test Switch (for use with DLVP driver) ⁸ EMV14=14W Low Voltage Emergency Module with Remote Test Switch (for use with DLVP driver) ⁸ SWPD1=Factory installed WaveLinX tilemount daylight sensor (includes control module, sensor, cable, and tile mount) ⁹ LWTPD1=Factory installed LumaWatt Pro wireless sensor kit ⁸			

Sample Number: 2LBAC3LI

Trim	Reflector	Flange	Finish
2LB=2" trim	D=Spun aluminum SW=Spun aluminum splay lensed wall wash with black oculus ⁷ SWW=Spun aluminum splay lensed wall wash with white oculus ⁷ DL=Lensed spun aluminum DC=Die cast aluminum ³ DLC=Lensed die cast aluminum ³ PIN=Pinhole with black oculus ³ PINW=Pinhole with white oculus ³	1=Self-flanged 2=White Painted Self-flanged 3=Rimless ¹² Blank=Pinhole	LI=Specular Clear ⁵ H=Semi-Specular Clear ⁵ WMH=Warm Haze ⁵ WH=Wheat ⁵ WHH=Wheat Haze ⁵ GPH=Graphite Haze ⁵ B=Specular Black ⁵ MW=Matte White MB=Matte Black ⁴ MMS=Matte Metallic Silver ⁴

Accessories

2RAPR=Round plaster lathing ring (order with rimless option) Bar Hangers HB26=Pair C-channel bar hanger, 26" long HB50=Pair C-channel bar hanger, 50" long RMB22=Pair wood joist bar hanger 22" long Connected Lighting Systems PORLWTPD1=***LumaWatt Enlighted LumaWatt Pro wireless sensor kit TMSWPD1=WaveLinX tilemount daylight sensor (includes control module, sensor and cable) Beam Forming Reflector (required when ordering no optic for distribution) 2R15SP=15° 2R25NFL=25° 2R40FL=40° 2R55WFL=55° EDC2R=Ceiling extension kit for ceilings 7/8" - 1-1/4"	L100 lenses - color filters L112=Red Gel Filter L114=Ultraviolet, Dichroic Filter L120=Red, Dichroic Filter L121=Amber, Dichroic Filter L122=Yellow, Dichroic Filter L123=Green, Dichroic Filter L124=Daylight Blue, Dichroic Filter L125=Blue, Dichroic Filter L127=Cosmetic (2700K), Dichroic Filter L131=Amber, Gel Filter	L100 lenses - optical lenses L110N=Diffuse Sandblasted Lens: Provides an even beam spread from MR16 lamps - especially useful in wall washing. L111=Soft Focus Lens: Smooths irregular beam pattern while maintaining high controlled illumination levels and beam angles of MR16 lamps. L113=Prismatic Spread Lens: Provides a symmetrical broadening of MR16 lamp beams. Suitable when a wide, uniform light distribution is required. L115=Linear Spread Lens: Fans out the MR16 beam 55° (27-1/2° to each side) to produce a wide rectangular pattern. L100MB=Expanded metal louver: Miniature black finished hexagonal-cell louver - controls light spill while retaining lamp optics.
------------------------------------------------------------------------------------------------------------------------------------------------------------------------------------------------------------------------------------------------------------------------------------------------------------------------------------------------------------------------------------------------------------------------------------------------------------------------------------------------------------------------------------------------------------------------------------------------------------------------------------	--------------------------------------------------------------------------------------------------------------------------------------------------------------------------------------------------------------------------------------------------------------------------------------------------------------------------------------------------------------------	-------------------------------------------------------------------------------------------------------------------------------------------------------------------------------------------------------------------------------------------------------------------------------------------------------------------------------------------------------------------------------------------------------------------------------------------------------------------------------------------------------------------------------------------------------------------------------------------------------------------------------------------------------------------------------------------------------------------

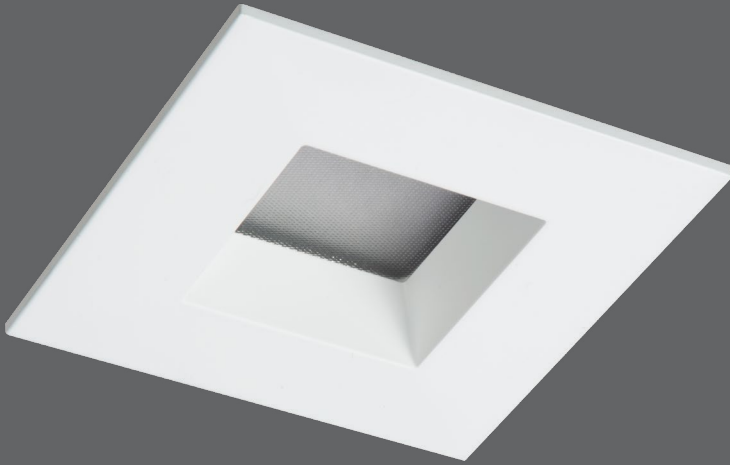
- Notes: 1 Nominal Lumens will vary depending on selected color, driver and reflector finish.
 2 Not available with Chicago Plenum.
 3 Only available with Matte White, Matte metallic silver and Matte Black Finishes.
 4 Available only on DC.
 5 Not available on Pinhole or DC distributions.
 6 DMX fixtures default to full on upon loss of DMX signal.
 7 Housing ships standard at 15° tilt for optimal wall wash position.

- 8 UL US approved only.
 9 Refer to system specifications for additional information, features and benefits. Order either factory installed option or accessory, use with 0-10V driver.
 10 Requires above ceiling access.
 11 Must be used with lensed reflector.
 12 Available on D, DL, DLC and DC.

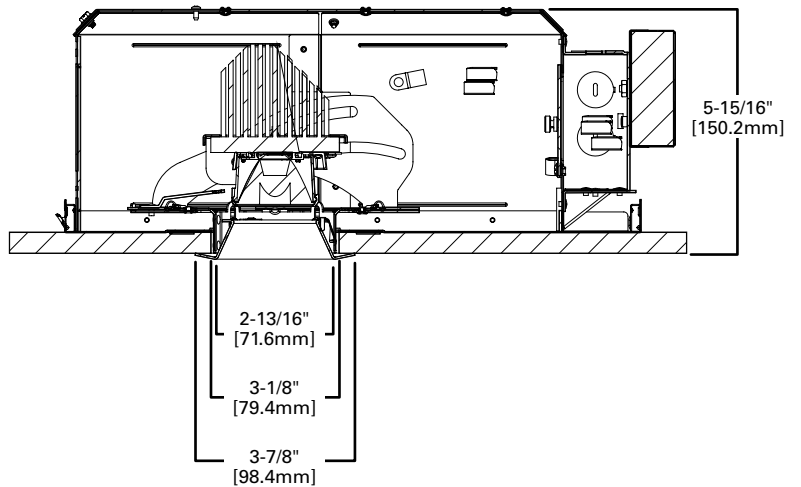
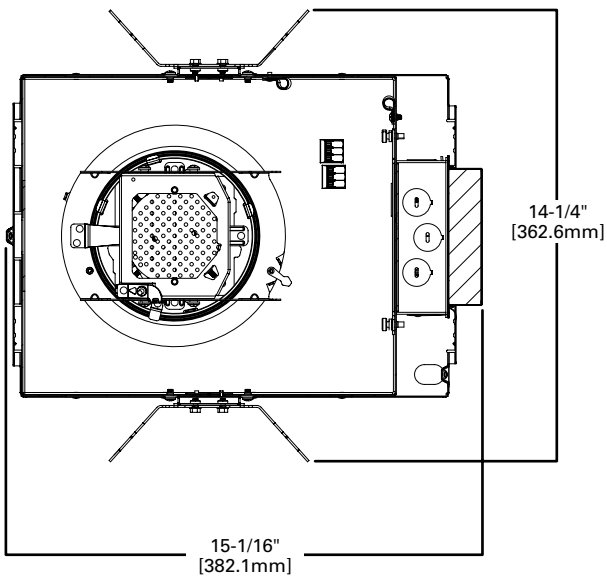
2 Inch

Square Adjustable Downlight

Portfolio 2-3/4 inch square adjustable accent/slope LED fixture for flat or sloped ceilings. Lockable 365° rotation and tool-less 45° tilt with center beam optics provides full output without flash back. Available with 15°, 25°, 40°, 55° optic producing a smooth distribution. Available with lumen packages of 500 to 2000 with a choice of 2400K, 2700K, 3000K, 3500K, 4000K and 5000K color temperatures in 80, 90 or 97 CRI. Standard dimmable driver can be dimmed with 0-10V or trailing edge controls. Accessible from above or below the ceiling plane.



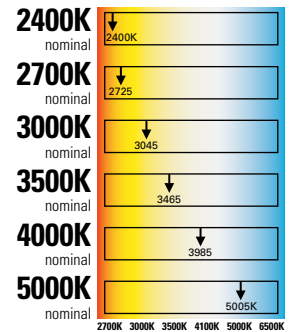
New Construction



Features and Benefits

- Delivered lumens ranging from 500 to 2000
- Available in 2400K, 2700K, 3000K, 3500K, 4000K, or 5000K
- 80, 90 or 97 CRI
- Color variation within 3-step MacAdam ellipses
- 15°, 25°, 40°, or 55° optics produce a smooth distribution
- Wall wash, narrow, medium and wide beam reflectors
- Standard dual dimming driver, 0-10V or trailing edge
- Optional 100%-0% Fifth Light, 0-10V, or DMX dimming drivers

- ENERGY STAR® qualified with select trims and CCT
- Downlights are cULus listed for protected damp locations
- Lensed trims are cULus listed for wet locations
- Photometric testing completed in accordance with IES LM 79 standards
- L70 at 50,000 hours, projected in accordance with IES TM-30
- 5 year warranty



Ordering Information:

Order Housing, Power Module, Trim and Accessories Separately

Sample Number: LDSQA2B159030D010

Housing	Lumens ¹	Distribution	CRI	Color	90 CRI	97 CRI	Voltage
LDSQA2B=New Construction Adjustable 2" Nominal Aperture	05=500 lumens 10=1000 lumens	SP=15° optic NFL=25° optic	80=80 CRI minimum 90=90 CRI minimum	80 CRI 27=2700K 30=3000K 35=3500K 40=4000K 50=5000K	24=2400K 27=2700K 30=3000K 35=3500K 40=4000K 50=5000K	27=2700K 30=3000K	Blank=120-277V
LDSQA2BCP=New Construction Adjustable 2" Nominal Aperture Chicago Plenum ²	15=1500 lumens 20=2000 lumens	FL=40° optic WFL=55° optic Blank=no optic (order accessory reflector)	97=97 CRI minimum				
				Dim to Warm 9030D2W=1000 and 1500 lumen, Dim to warm, 90CRI			
Driver ⁷	Options ^{2, 6}						
D010=0-10V Dimming 1%-100%, 120-277V D010A=0-10V Dimming 1%-100%, 120-277V for installations with above ceiling access ⁵ D010TR=0-10V 120-277V Dimming 1%-100%, or 120V 5% line voltage dimming D010ATR=0-10V 120-277V Dimming 1%-100%, or 120V 5% line voltage dimming for installations with above ceiling access ⁵ DE010=0-10V Linear Dimming, 0% to 100%, 120V-277V ⁵ D5LT=5th Light® (DALI) Dimming, 0% to 100%, 120V-277V ⁵ DMX=DMX/RDM Logarithmic Dimming, 0% to 100%, 120V-277V ^{3, 5} DL2=Lutron® Hi-Lume Forward Phase Dimming, 1% to 100%, 120V Only ⁵ DLE=Lutron Ecosystem dimming 1% to 100%, 120V-277V ⁵ DLV=Low voltage dimming driver 1-100% for use with DLVP system ⁵	EMBOD =Bodine® Emergency Module with Remote Test Switch EM7 =7W Emergency Module with Remote Test Switch EM14 =14W Emergency Module with Remote Test Switch (not for use with DLVP driver) EMV7 =7W Low Voltage Emergency Module with Remote Test Switch (for use with DLVP driver) ⁸ EMV14 =14W Low Voltage Emergency Module with Remote Test Switch (for use with DLVP driver) ⁸ SWPD1 =Factory installed WaveLinX tilemount daylight sensor (includes control module, sensor, cable, and tile mount) ⁴ LWTPD1 =Factory installed LumaWatt Pro wireless sensor kit ⁴						

Sample Number: 2LBAC3LI

Trim	Reflector	Flange	Finish
2LB=2" trim	ASQC=Square angle cut cast aluminum ALSQC=Square lensed cast aluminum ASWSQC=Square lensed wall wash cast aluminum APINSQ=Square adjustable Pinhole ALPINSQ=Square adjustable lensed Pinhole	1=Self-flanged 2=White Painted Self-flanged 3=Rimless Blank=Pinhole	MW=Matte White MB=Matte Black MMS=Matte Metallic Silver

Accessories

2SQAPR =Square plaster lathing ring (order with rimless option) Bar Hangers HB26 =Pair C-channel bar hanger, 26" long HB50 =Pair C-channel bar hanger, 50" long RMB22 =Pair wood joist bar hanger 22" long Connected Lighting Systems PORLWTPD1 =***LumaWatt Enlightened LumaWatt Pro wireless sensor kit TMSWPD1 =WavelinX tilemount daylight sensor (includes control module, sensor and cable) Beam Forming Reflector (required when ordering no optic for distribution) 2R15SP =15° 2R25NFL =25° 2R40FL =40° 2R55WFL =55° EDC2SQ =Ceiling extension kit for ceilings 7/8" - 1-1/4"	L100 lenses - color filters L112 =Red Gel Filter L114 =Ultraviolet, Dichroic Filter L120 =Red, Dichroic Filter L121 =Amber, Dichroic Filter L122 =Yellow, Dichroic Filter L123 =Green, Dichroic Filter L124 =Daylight Blue, Dichroic Filter L125 =Blue, Dichroic Filter L127 =Cosmetic (2700K), Dichroic Filter L131 =Amber, Gel Filter	L100 lenses - optical lenses L110N =Diffuse Sandblasted Lens: Provides an even beam spread from MR16 lamps - especially useful in wall washing. L111 =Soft Focus Lens: Smooths irregular beam pattern while maintaining high controlled illumination levels and beam angles of MR16 lamps. L113 =Prismatic Spread Lens: Provides a symmetrical broadening of MR16 lamp beams. Suitable when a wide, uniform light distribution is required. L115 =Linear Spread Lens: Fans out the MR16 beam 55° (27-1/2° to each side) to produce a wide rectangular pattern. L100MB =Expanded metal louver: Miniature black finished hexagonal-cell louver - controls light spill while retaining lamp optics.
---------------------------------------------------------------------------------------------------------------------------------------------------------------------------------------------------------------------------------------------------------------------------------------------------------------------------------------------------------------------------------------------------------------------------------------------------------------------------------------------------------------------------------------------------------------------------------------------------------------------------------------------------------------------------------------------------------------------------------	----------------------------------------------------------------------------------------------------------------------------------------------------------------------------------------------------------------------------------------------------------------------------------------------------------------------------------------------------------------------------------------------------------------------------------------------------	-----------------------------------------------------------------------------------------------------------------------------------------------------------------------------------------------------------------------------------------------------------------------------------------------------------------------------------------------------------------------------------------------------------------------------------------------------------------------------------------------------------------------------------------------------------------------------------------------------------------------------------------------------------------------------------------------------------------------------------------------------------

Notes: 1 Nominal Lumens will vary depending on selected color, driver and reflector finish.

2 Not available with Chicago Plenum.

3 DMX fixtures default to full on upon loss of DMX signal.

4 Refer to system specifications for additional information, features and benefits.

Order either factory installed option or accessory, use with 0-10V driver.

5 Requires above ceiling access.

6 Housing ships standard at 15° tilt for optimal wall wash position.

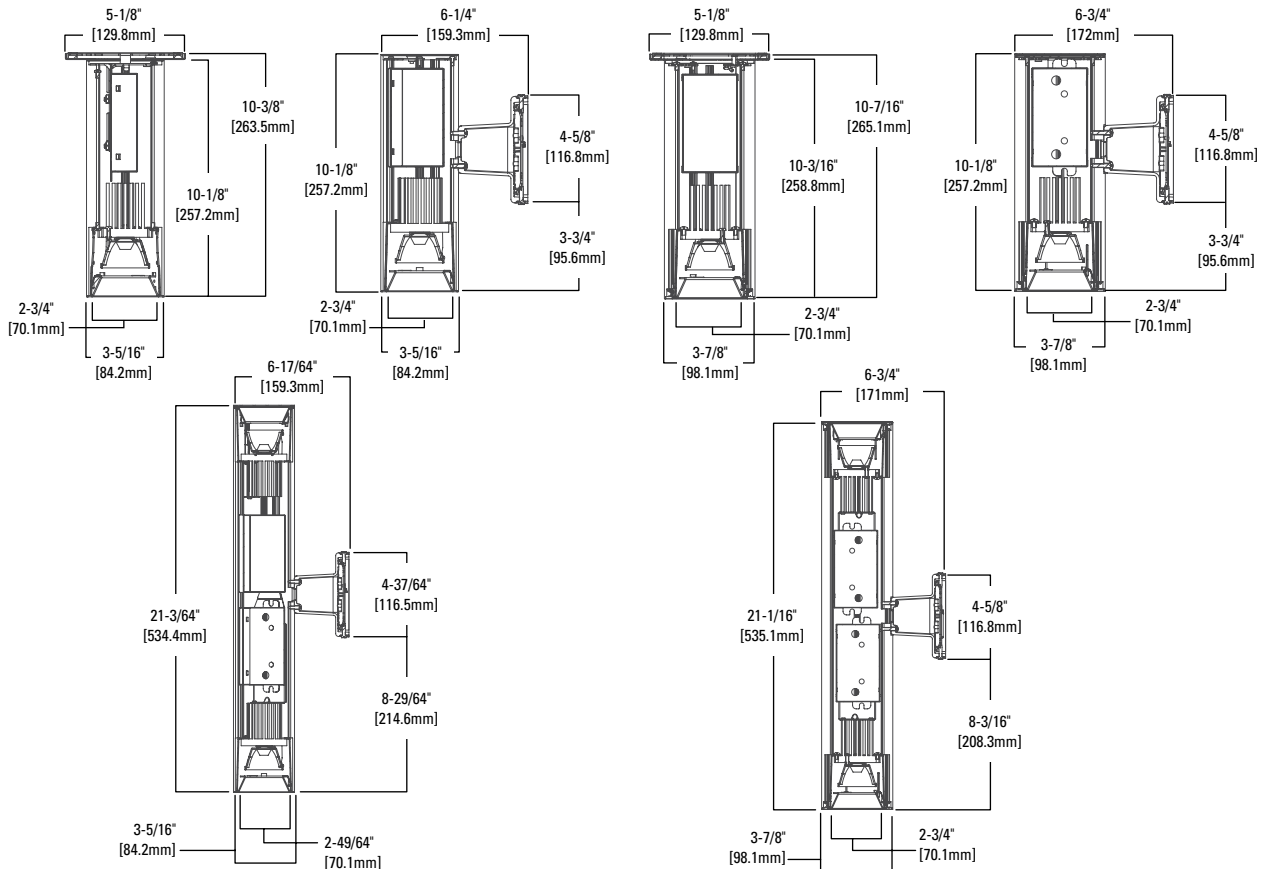
7 Must be used with lensed reflector.

8 UL/US approved only.

2 Inch

LED Cylinders

Portfolio 2-inch LED cylinders are designed to compliment any space. Offered in wall mount or ceiling mount with optional pendant kits in a variety of finishes. Diffused optical system provides superior light control and low aperture brightness while delivering over 80 lm/W. The cylinder is available in lumen packages ranging from 500 to 2000 lumens with a choice of 2400K, 2700K, 3000K, 3500K, 4000K and 5000K color temperatures in 80, 90 or 97 CRI. Available with 0-10V or trailing edge driver, ideal for replacing existing incandescent cylinders with energy saving LED.



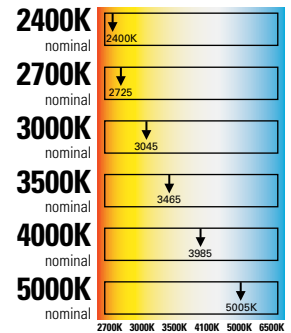
Features and Benefits

- Delivered lumens ranging from 500 to 2000
- Available in 2400K, 2700K, 3000K, 3500K, 4000K, or 5000K
- 80, 90 or 97 CRI
- Color variation within 3-step MacAdam ellipses
- 15°, 25°, 40°, or 55° optics produce a smooth distribution
- Standard 0-10V 1% dimming driver

- Optional dual dimming driver, 0-10V or trailing edge
- ENERGY STAR® qualified with select trims and CCT
- Photometric testing completed in accordance with IES LM 79 standards
- L70 at 50,000 hours, projected in accordance with IES TM-30
- 5 year warranty



Can be used to comply with California Title 24 High Efficacy requirements. Certified to California Title 20 Appliance Efficiency Database.



Ordering Information:

Order Housing, Power Module, Trim and Accessories Separately

Sample Number: LSR2B05SP15803D010P

Housing	Lumens ¹	Distribution ¹	CRI	Color		
Round LSR2B = LED 2" Aperture, Round Surface Mount LSRWM2B = LED 2" Aperture, Round Surface Wall Mount LSRUD2B = LED 2" Aperture, Surface Wall Mount Up/Down (requires 2 trims) Square LSSQ2B = LED 2" Round Aperture, Square Surface Mount (uses round trim) LSSQWM2B = LED 2" Round Aperture, Square Surface Wall Mount (uses round trim) LSSQUD2B = LED 2" Round Aperture, Square Surface Wall Mount Up/Down (requires 2 trims)	5=500 lumens 10=1000 lumens 15=1500 lumens 20=2000 lumens	SP15=15° NFL25=25° FL40=40° WFL55=55°	80=80 CRI minimum 90=90 CRI minimum 97=97 CRI minimum	80 CRI 27=2700K 30=3000K 35=3500K 40=4000K 50=5000K	90 CRI 24=2400K 27=2700K 30=3000K 35=3500K 40=4000K 50=5000K	97 CRI 27=2700K 30=3000K
9030D2W=1800-3000K Dim 2 Warm,1000 and 1500 lumen ⁵						
Driver	Cylinder Finish					
D010=0-10V Dimming,1% to 100%, 120V-277V D010TR=0-10V or Line Voltage Dimming, 1% to 100%, 120V-277V	P=Matte White MB=Matte Black SL=Silver paint BZ=Bronze					

Sample Number: 2LBD3LI

Trim	Reflector	Flange	Finish
2LB=2" LED	D=Round spun downlight DL=Round Downlight lensed spun reflector DC=Round Cast Shallow Downlight ² LCD=Round Lensed cast shallow downlight ²	3=Rimless	LI=Specular Clear ³ H=Semi-Specular Clear ³ WMH=Warm Haze ³ WH=Wheat ³ GPH=Graphite Haze ³ B=Specular Black ³ MW=Matte White MB=Matte Black ⁶ MMS=Matte Metallic Silver ⁶

Accessories

Pendant Kit	Type	Length
Round P236P=White pendant stem kit for round suspended mount cylinder P236BZ=Bronze pendant stem kit for round suspended mount cylinder P236MB=Matte black pendant stem kit for round suspended mount cylinder P236SL=Silver pendant stem kit for round suspended mount cylinder Square PSQ236P=White stem kit for square cylinder PSQ236BZ=Bronze stem kit for square cylinder PSQ236MB=Matte black stem kit for square cylinder PSQ236SL=Silver stem kit for square cylinder	Blank=5 conductor for use with 0-10V driver	Blank=36" SP*=* specify 6 to 144 in 1" increments

Canopies for surface Ceiling Mount

2SQCPMLP = White low profile canopy for square surface mount 2-inch junction box 2SQCPMLMB = Black low profile canopy for square surface mount 2-inch junction box 2RCPMLP = White Low profile canopy for round surface mount 2-inch junction box 2RCPMLMB = Matte Black low profile canopy for round surface mount 2-inch junction box 2SQCPSTANP = White low profile canopy for square surface mount standard junction box 2SQCPSTANMB = Matte black low profile canopy for square surface mount standard junction box 2RCPSTANP = White low profile canopy for round surface mount standard junction box 2RCPSTANMB = Matte black low profile canopy for round surface mount standard junction box

L100 lenses - optical lenses

L110N=Diffuse Sandblasted Lens: Provides an even beam spread - especially useful in wall washing. L111=Soft Focus Lens: Smooths irregular beam pattern while maintaining high controlled illumination levels and beam angles. L113=Prismatic Spread Lens: Provides a symmetrical broadening of lamp beam. Suitable when a wide, uniform light distribution is required. L115=Linear Spread Lens: Fans out the beam 55° (27-1/2° to each side) to produce a wide rectangular pattern. L100MB=Black finished metal hexagonal-cell louver - controls light spill while retaining lamp optics.	Notes: 1 Nominal Lumens will vary depending on selected color, driver and reflector finish. 2 Only available with Matte White, Matte metallic silver and Matte Black Finishes. 3 Not available on DC (die cast) distributions. 4 Offered up to 1000 lumens. 5 Offered in 25°, 40°, 55° distribution 6 For die cast reflectors only.
--------------------------------------------------------------------------------------------------------------------------------------------------------------------------------------------------------------------------------------------------------------------------------------------------------------------------------------------------------------------------------------------------------------------------------------------------------------------------------------------------------------------------------------------------------------------------------------------------------	-----------------------------------------------------------------------------------------------------------------------------------------------------------------------------------------------------------------------------------------------------------------------------------------------------------------------------------------------------------

Lighting Product Lines

Ametrix
AtLite
Corelite
Ephesus
Fail-Safe
HALO
HALO Commercial
Invue
io
IRIS
Lumark
Lumière
McGraw-Edison
Metalux
MWS
Neo-Ray
Portfolio
RSA
Shaper
Streetworks
Sure-Lites

Controls Product Lines

Fifth Light Technology
Greengate
iLight (International Only)
iLumin
Zero 88

Connected Lighting Systems

Distributed Low-Voltage Power
HALO Home
iLumin Plus
LumaWatt Pro
WaveLinx



Cooper Lighting Solutions
1121 Highway 74 South
Peachtree City, GA 30269
P: 770-486-4800
www.cooperlighting.com

Canada Sales
5925 McLaughlin Road
Mississauga, Ontario L5R 1B8
P: 905-501-3000
F: 905-501-3172

© 2020 Cooper Lighting Solutions
All Rights Reserved
Printed in USA
Publication No. BR520010EN
August 2020

portfolio-lighting.com

All other trademarks are property of their respective owners.

Product availability, specifications, and compliances are subject to change without notice.