

DESCRIPTION

Lampholder utilizes 12V MR16 lamps and provides a very white crisp light. Lampholders are available in Satin White (P) or Matte Black (MB) finishes. Lazer lampholders are compatible with all Halo Power-Trac systems (except 4-Circuit Trac). Ideal for accent and display lighting applications where high coloring rendering and precise beam control are required.

Catalog #	Type
Project	
Comments	
Prepared by	Date

SPECIFICATIONFEATURES

A...Electrical Quick Lock Adapter/Transformer

Polycarbonate casing. Attaches electrically and mechanically anywhere along track. Visual polarity line assures proper grounding. Two position conductor allows use in single circuit and either circuit of two Integral electronic transformer converts 120V line voltage to lamp operating voltage.

B...Arm

Matching polycarbonate arm allows lampholder to rotate 338° and adjust vertically from 0° to 90°. Constant tension pivot design holds desired aiming angle.

C...Body

Deep drawn steel lamp housing with vents in rear keep socket temperatures within design limits.

D...Baffle

Die cast aluminum black baffle with lamp retention spring pulls out for relamping.

Listings

UL/CSA listed for use with Halo and Lazer-by-Halo track and track systems

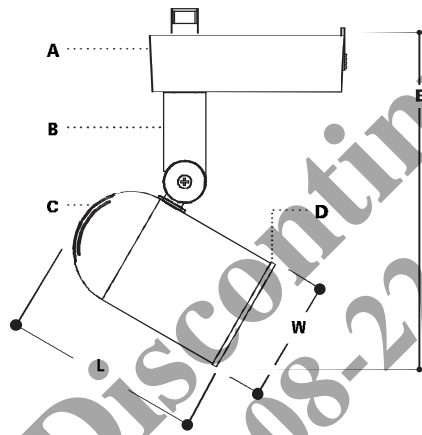


LZR405

12V MR16
ROUNDBACK CYLINDER
LAMPHOLDER
Lazer by Halo

ENERGY DATA

Power Factor: >.90
Input Watts: <50
Input Amps: .45 Max.
THD: <30%

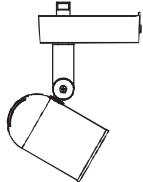


ORDERING INFORMATION

SAMPLE NUMBER: LZR405P

Lampholders

LZR405=12V MR16 Roundback Cylinder



Finishes

P=Satin White
MB=Satin Black

LZR405

For use with:
50W Max. 12V MR16
W=2 1/2" [63mm]
L =3 7/8" [98mm]
E =6 3/4 " [171mm]

ADV021812

9/04
TAB: Lazer Lampholders and Track
Sheet 12

Note: Specifications and Dimensions subject to change without notice.