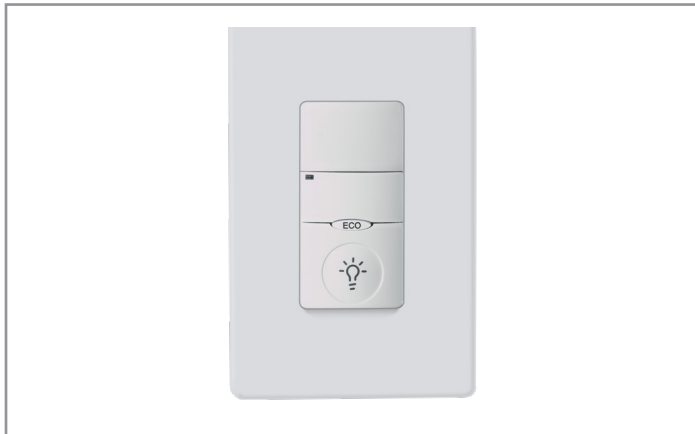


Project		Catalog #		Type	
Prepared by		Notes		Date	



## Greengate

### ONW-P Wall Switch Occupancy Sensor with RR7 Compatibility

Motion sensing lighting control that is used for energy savings and convenience.

#### Typical Applications

Private Offices • Small Conference Rooms • Lunch/Break Rooms • Small Classrooms • Small Restrooms (no stalls) • Small Lounges • Small Waiting Rooms • Small Closets • Small Storage Areas

#### Interactive Menu

- Order Information page 2
- Additional Resources page 2
- Wiring Diagrams page 3
- Product Warranty

#### Product Certification



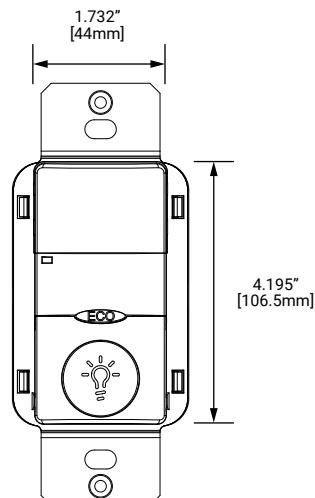
#### Product Features



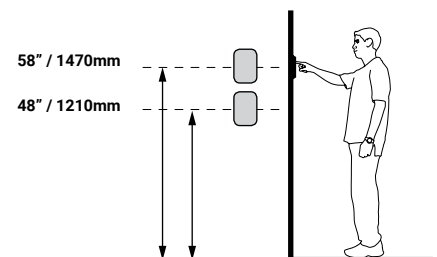
#### Top Product Features

- **Low Voltage interface for GE RR7** – Simplifies the integration with GE RR7 Relay Systems
- **Low Voltage** – Eliminates the need for conduits in most markets
- **Selectable built-in light level sensor** – Optimize energy savings within the space
- **Tracking/HVAC mode** – Optimize HVAC energy usage based on occupancy

#### Dimensional Details



#### Scale or Mounting Height



[additional product diagrams](#)

## Order Information

One single gang wallplate included.

### Catalog Number

Catalog Number	Ratings	Coverage	Color
ONW-P-1001-RR7- * (*-W, V, LA, G, B, )	24 VAC Input with isolated Form C relay (half wave rectified)	180°; 1000 sq. ft.	W=White, V=Ivory, LV=Light Almond, G=Gray, B=Black
			<b>Notes</b> Not all colors are available in stock and some color options may have extended lead times.

## Product Specifications

### Technology

- Passive Infrared (PIR)

### Mechanical

**Mounting Plate Dimensions:** 4.195" H x 1.732" W (106.55mm x 44mm)

**Product Housing Dimensions:** 2.618" H x 1.752" W x 1.9" D (66.5mm x 44.5mm x 48.26mm)

### Environment:

- **Operating temperature:** 32°F to 104°F (0°C to 40°C)
- **Relative humidity operating:** 20% to 90% non-condensing
- For indoor use only

**Housing:** Durable, injection molded housing. ABS resin complies with UL 94V-0

### Electrical

#### Electrical ratings:

- **Input:**
  - 24 VAC ± 10% Maximum current needed is 25mA
  - 1 VA max for each sensor
  - 7 VA max for each GE RR7/9 relay
  - 8.5 VA max for each Sierra 1070-B relay
- **Output:**
  - Half-wave rectified 24 VAC for 300ms pulse for driving up to 4 GE RR7/9 type relays or up to 2 Sierra 1070-B type relays
- **Isolated Form C Relay Ratings:** 1A 30 VDC/VAC

### Hardware Specifications

#### LED Indicators:

- Red LED = PIR detection
- Green LED = acts as EcoMeter or nightlight locator

### Controls and Performance

#### Time delays:

- Self adjusting 15 seconds/test (10 min. Auto)
- Selectable 5, 15, 30 minutes

#### Coverage:

- Major motion: 36' x 30'
- Minor motion: 20' x 16'

#### Light sensing level:

- 0 to 200 foot candles

### Standards/Ratings

- cULus Listed
- FCC Compliant
- RoHS Compliant

### Warning

- This product is not intended to be used in applications involving the use of ammonia-based or VOC cleaners.
- Use of ammonia-based or VOC cleaners on this device must be avoided. Prolonged use may cause loss of integrity and expose electrified components. If this occurs, turn OFF power to the unit and replace.
- For detailed cleaning guidelines please refer to: Controls Care and Maintenance instructions at the end of this document.

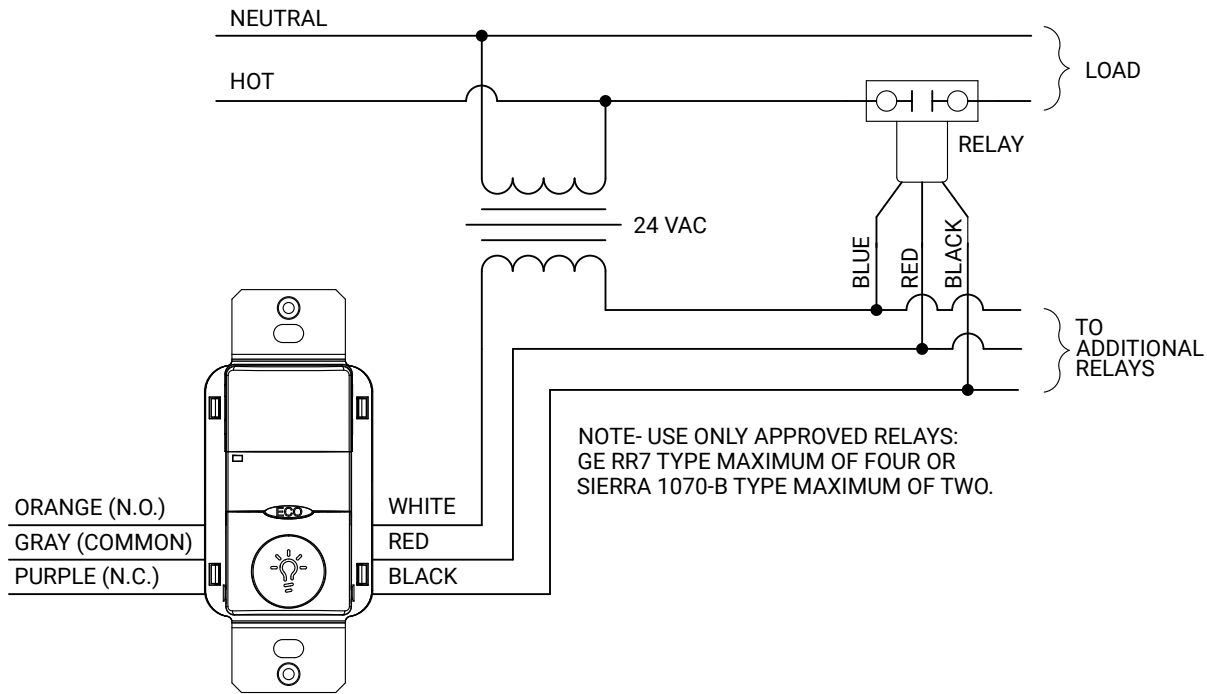
### Warranty

Five year warranty standard

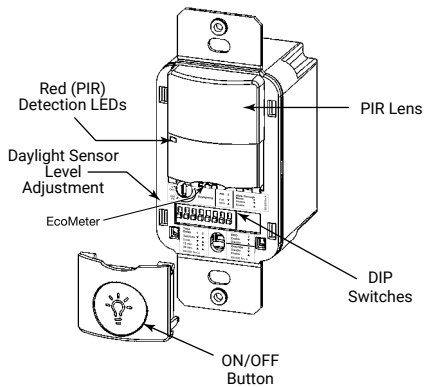
## Overview

The ONW-P-1001-RR7 is designed to detect motion from a heat-emitting source (such as a person entering a room) within its field-of-view and automatically switch lights ON. These sensors have multi-segmented lenses. For units to sense motion, the person must cross between two segments. The distance between segments increases the farther you are from the sensor, so motion had to be larger the farther you are from the unit. PIR sensors are considered line-of-sight sensors, meaning that the sensor must be able to have a direct line-of-sight to the person making the motion. In Automatic On Mode, the lights turn ON when a person enters the room. In Manual On Mode, the lights are turned ON by pressing the universally recognized light icon pushbutton. The sensor includes self-adaptive technology that continuously self-adjusts sensitivity and time delay in real-time, maximizing the potential energy savings that are available in the particular application. The EcoMeter provides a visual indicator of energy usage, increasing end user awareness and reminding individuals to take control of their lighting to maximize energy savings. HVAC mode allows the load connected to the Form C BAS relay to remain ON when the lights are turned OFF manually. Applications may include keeping the room at a desired temperature while giving a presentation and the lights are OFF.

## Wiring Diagrams



## Controls

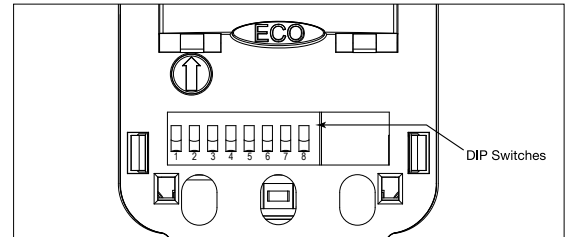


### DIP Switch Legend

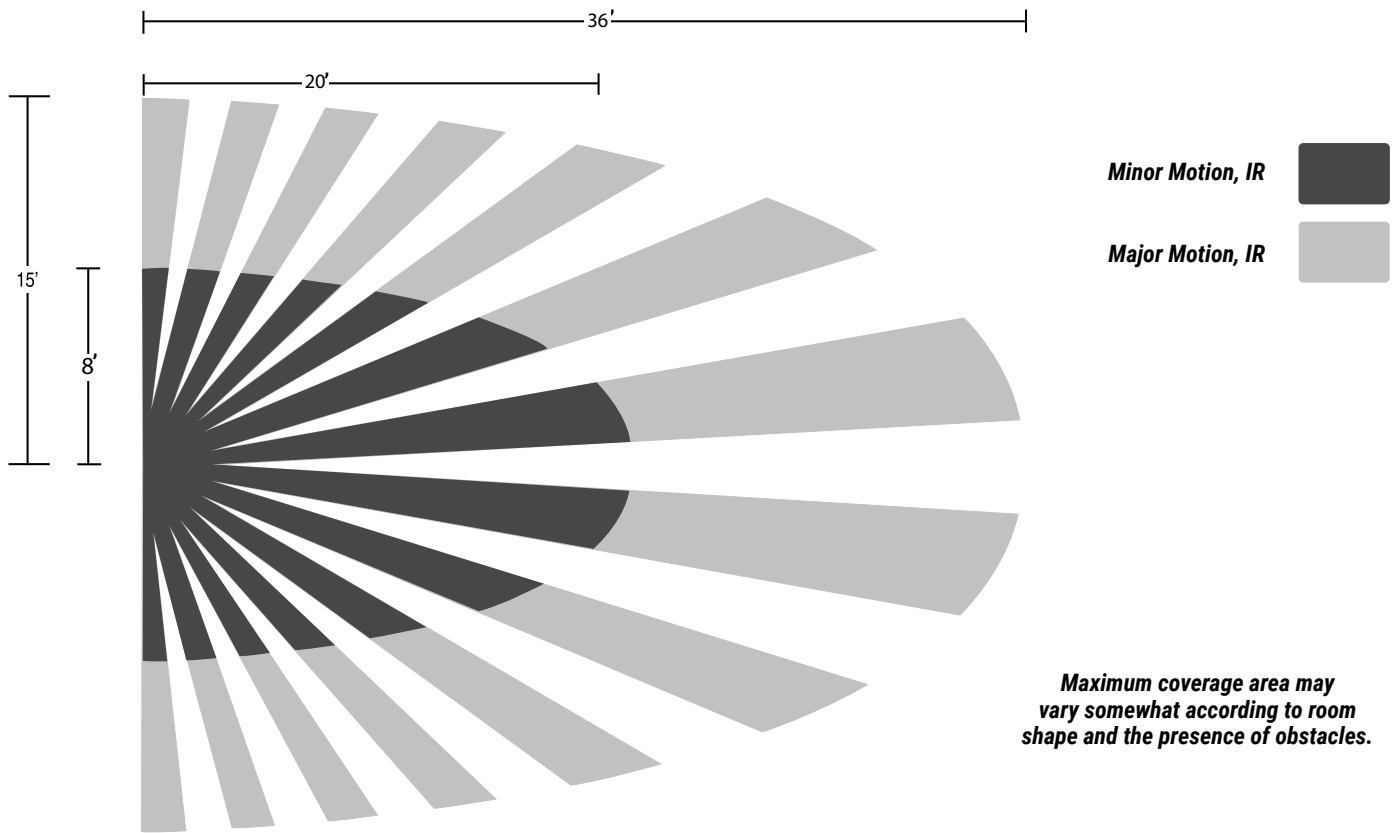
DIP Switch	Time Delay		Activation	Isolated Relay	PIR Sensitivity	Walk-Through Mode		EcoMeter		Override
	1	2	3	4	5	6	7	8		
Auto*	▼	▼	Auto ▼	Tracking ▼	Full ▼	Disable ▼	Enable ▼	Disable ▼	Disable ▼	
5 Minutes	▼	▲	Manual ▲	HVAC ▲	50% ▲	Enable ▲	Disable ▲	Enable ▲	Enable ▲	
15 Minutes	▲	▼								
30 Minutes	▲	▲								

\*Self-Adjusts to 10 min. user mode

Default =



## Field of View



 **Control Systems**  
• Greengate



Cooper Lighting Solutions has developed recommended guidelines for cleaning our products that will not impact the operation or finish of the product.

### Recommended cleaning tips:

- **Never spray any fluids directly into the device.**
- **Use of ammonia-based or VOC cleaners on this device must be avoided.** Prolonged use may cause loss of integrity and expose electrified components. If this occurs, turn OFF power to the unit and replace.
- **Use a damp rag or single-use wipe** to avoid excess liquid penetrating the device.
- Be sure to wipe up remaining excess liquid after cleaning.
- Ensure the cleaning agent used does not have harsh chemicals such as bleach, ammonia, highly alkaline or concentrated acids (such as hydrochloric acid that can be found in household cleaners such as toilet bowl cleaners, bathroom tile and porcelain cleaners) as they could damage the device, causing them to become brittle and discolored.
- Cooper Lighting Solutions recommends the use of a mild liquid detergent and water to clean the devices. Single use wipes (e.g. Lysol brand or equivalent) are acceptable to use for cleaning the devices, however the single-use wipes **cannot contain bleach, ammonia, highly alkaline or concentrated acids.**

### Recommended cleaning instructions:

- **Never spray any fluids directly into the device.**
- Apply the mild liquid detergent to a damp cloth or paper towel. Single use wipes (e.g. Lysol brand or equivalent) are acceptable to use for cleaning the devices, however single-use wipes cannot contain bleach, ammonia, highly alkaline or concentrated acids.
- If excess liquid is present, remove by wringing out the cloth or paper towel to avoid liquid penetration into the device.
- Clean the Cooper Lighting Solutions device by wiping over the surface with the damp cloth.
- Remove an excess liquid remaining on the device with a dry cloth or paper towel.

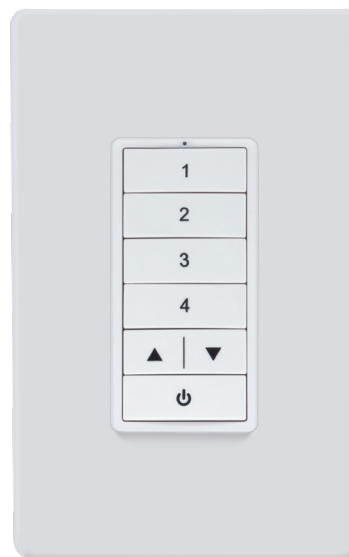


image for reference only

**⚠ WARNING**

*This product is not intended for use in applications involving the use of ammonia-based or VOC cleaners.*

*Prolonged use may cause loss of integrity and expose electrified components.*

*If this occurs, turn OFF power to the unit and replace.*