

## DESCRIPTION

The Zuma 1203 is a rugged and attractive ADA-compliant step light for use with a low voltage, 13W incandescent lamp (provided). It mounts directly to any non-combustible surface, yet projects only 1-3/4" from the mounting surface. The adjustable 'eyelid' style faceplate rotates 360° and shields the lamp source to provide soft, comfortable illumination.

Catalog #		Type
Project		
Comments		Date
Prepared by		

## SPECIFICATION FEATURES

### A ... Material

Mounting base is machined from corrosion-resistant 6060-T6 aluminum billet. Faceplate/housing is cast from corrosion-resistant silicone aluminum.

### B ... Finish

Fixtures are double protected by a chromate conversion undercoating and polyester powdercoat paint finish, surpassing the rigorous demands of the outdoor environment. A variety of standard colors are available.

### C ... Gasket

Housing and faceplate are sealed with a high temperature silicone o-ring gasket to prevent water intrusion.

### D ... Lens

Diffused tempered glass lens, factory sealed with high temperature adhesive to prevent water intrusion and breakage due to thermal shock.

### E ... Hardware

Stainless steel hardware is standard to provide maximum corrosion-resistance.

### F ... Socket

Ceramic socket with 250° C Teflon® coated lead wires and wedge base.

### G ... Electrical

Remote 12V transformer required (not included). Available from Lumière as an accessory - see the Accessories & Technical Data section of this catalog for details.

### H ... Lamp

Included as standard.

### I ... Labels & Approvals

UL and cUL listed, standard wet label. Manufactured to ISO 9001-2000 Quality Systems Standard. IBEW union made.

### J ... Warranty

Lumière warrants its fixtures against defects in materials & workmanship for three (3) years. Auxiliary equipment such as transformers, ballasts and lamps carry the original manufacturer's warranty.



ZUMA

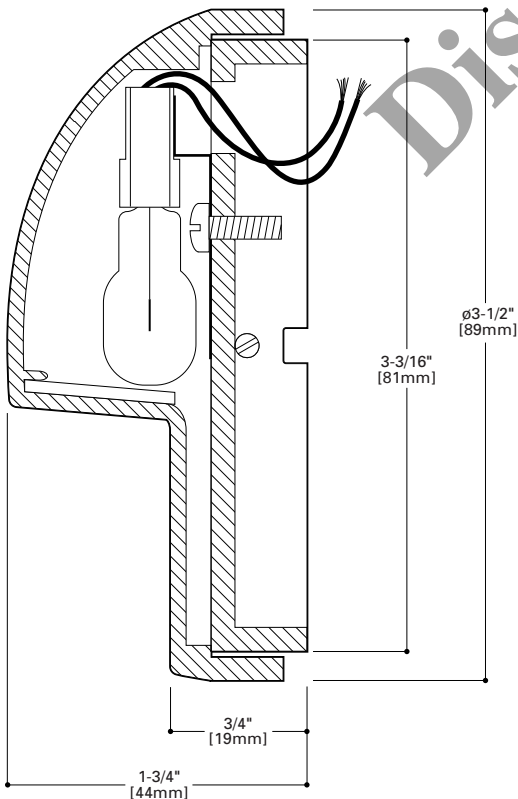
1203

13W (max.) T5

Incandescent  
Low Voltage

Step Light

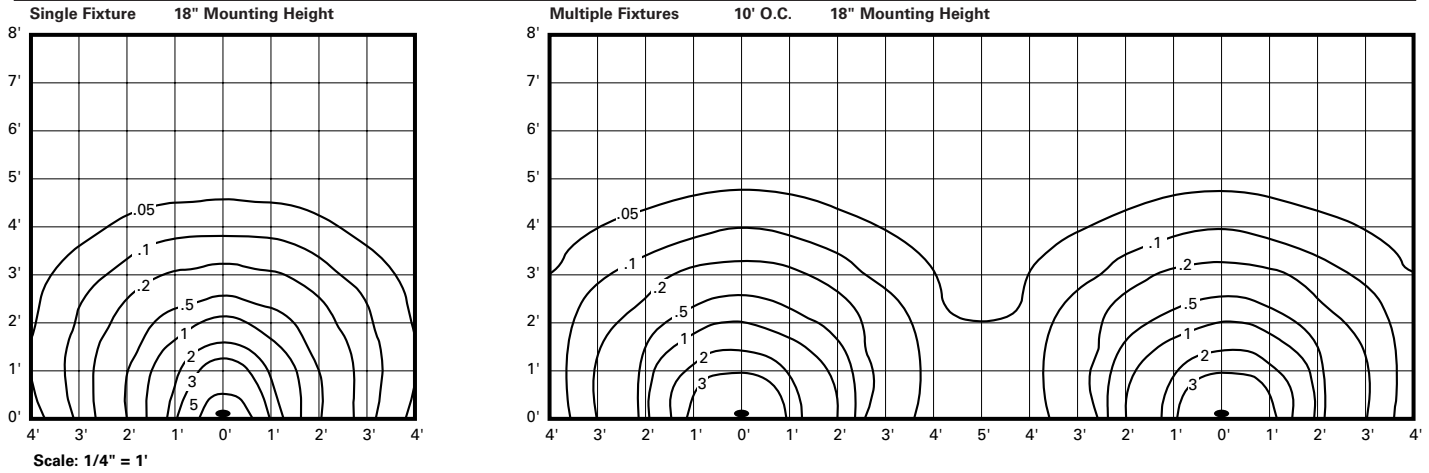
ADA-COMPLIANT



Zuma 1203

Zuma 1203 Test No. H45021 Lamp=13T5 Lumens=12

ISO Footcandle Plot



LAMP INFORMATION

Lamp	ANSI Code	Watts	Beam Spread	CBCP	°K	Life (hrs.)	Base	Volts
912	---	12.8	---	---	---	1000	wedge	12.8*

\*Operating lamp at 12 volts or less results in approximately 3x increase in lamp life.

NOTE: Inferior quality lamps may adversely affect the performance of this product. Use only name brand lamps from reputable lamp manufacturers.

NOTES AND FORMULAS

- Beam diameter is to 50% of maximum footcandles, rounded to the nearest half-foot.
- Footcandle values are initial. Apply appropriate light loss factors where necessary.

ORDERING INFORMATION

<b>Series</b> 1203=Eyelid, Surface Mount Zuma Step Light	<b>Source</b> Incandescent INC13=13W Max T5 Incandescent, Wedge Base	<b>Voltage</b> 12=12V	<b>Finish</b> Painted BK=Black BZ=Bronze CS=City Silver VE=Verde WT=White

- Notes:
- Lamp included.
  - 12V remote transformer required - not included.
  - See ACCESSORIES & TECHNICAL DATA section of the Lumière catalog for Low Voltage Cable & Transformers.
  - Consult your Cooper Lighting Solutions representative for additional options and finishes.