

DESCRIPTION

A series of understated, balanced luminaires that come in a variety of lamp types. The Stasis family features die-cast and extruded bodies with elegant free-flowing lines. Ideal for accent and display lighting applications. This Stasis LED is perfect for those applications where performance is required from a discrete source.

Catalog #		Type
Project		
Comments		Date
Prepared by		

DESIGN FEATURES

Quick-Lock Adapter*

Attaches electrically and mechanically anywhere along track. Includes discrete locking tab that locks luminaire on track and allows for easy removal and repositioning.

Lockable Aiming

Luminaire tilt and rotation can be locked in place easily with a 0.5mm allen wrench (included).

Switch

On/off switch allows power to be turned off during lamp replacement on individual luminaires.

Driver Housing

Die-cast and extruded aluminum housing incorporates the lamp control circuit.

Heat Sink

Aluminum die-cast heat sink provides exceptional thermal management to yield 70% lumen maintenance after 50,000 hours of operation.

Luminaire Arm

Arm allows the lamp housing tilt to adjust +/-90°. It also pivots +/-90° around the ballast housing. This enables the ballast housing to remain static on the track creating a clean look, while providing full aiming capabilities. The arm employs graduations every 15° for precise and repeatable tilt aiming. Indicator mark on the bottom ensures perfect luminaire housing alignment with track.

LED Light Engine

Equipped with (3) 3-Watt white LEDs. Factory configurable optics allow for 3 optical distributions. High CRI of 90 with excellent color consistency of +/- 50 K color temperature.

Dimming

The Stasis LED SML is dimmable to 15% with electronic low voltage equipment (ELV dimmers need a neutral connection in the wall box). Recommended ELV Dimmers:

LUTRON:

- Diva: DVELV Series
 - Maestro: MAELV Series
 - Nova: NTELV Series
 - Skylark: SELV Series
- LEVITRON:**
- Acenti: ACE Series
 - Illumatech: IPE Series

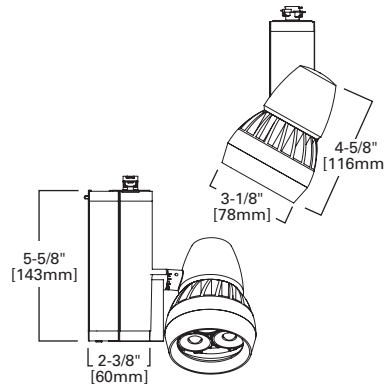
Labels

UL/cUL listed for use with Halo Architectural Power-Trac and Lazer Track. UL/cUL classified for Juno [See Footnote #1 in Ordering Information below], Lightolier [See Footnote #2 below], and Global [See Footnote #3 below] TEK/HTEK Track



**L805SML
Stasis**

**8W
Small**



3000 K	CBCP
Spot 9°	14627
Wide Spot 15°	5238
Narrow Flood 25°	1186
Flood 40°	1044

4000K Multiplier = 1.25

Lighting Data 3000K Spot	
Lumens:	436
Lumens per watt:	55.2
Watts at 120VAC	7.88

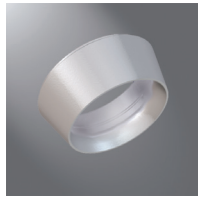
Energy Data:	
Input Power:	8W
Power Factor:	>0.92
Input Current:	0.15 Amps

ORDERING INFORMATION

SAMPLE NUMBER: L805SMLNF930AH

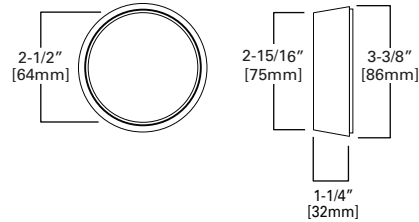
Track	Stasis LED	Size	Beam	CRI & CCT	Finish	Voltage
L=Halo Power-Trac	L2G=Global® TEK or HTEK ³ LJ=Juno® Track ¹ LL=Lightolier® Track ²	805=805	SML=Small, 8W	FL=Flood 40° NF=Narrow Flood 25° SP=Spot 9° WS=Wide Spot 15°	927=90CRI, 2700 K 930=90CRI, 3000 K 840=80CRI, 4000 K	AH=Aluminum Haze MB=Black P=White
						[Blank]=120V 277=277V (Only with LA or HTEK)

NOTES: 1. Juno® T single circuit and 2-circuit track contact. Juno® is a registered trademark of Juno® Lighting. 2. Lightolier® Lyfespan 6000 single circuit and 2 circuit track contact. Lightolier® is a registered trademark of Philips Lighting. 3. Global® is a registered trademark of Nordic Aluminum.



LM10520 Media Holder

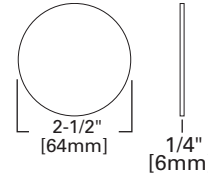
Accepts up to 2 pieces of media.



Color Filters

- F22-20 = Red Gel
- F76-20 = Red Dichoric
- F72-20 = Amber Dichoric
- F75-20 = Yellow Dichoric
- F73-20 = Green Dichoric
- F71-20 = Peach Dichoric
- F74-20 = Medium Blue Dichoric
- F77-20 = Dark Blue Dichoric

- F78-20 = Light Blue Dichoric
- F79-20 = Neutral Density
- F80-20 = Magenta
- F55-20 = Yellow Gel
- F33-20 = Medium Blue
- F44-20 = Medium Green
- F66-20 = Mercury
- DIF-20 = Solite



PHOTOMETRICS

Color Temp = 3000 K
4000K Multiplier = 1.25

	0 deg Aiming Angle Horizontal Footcandles on Floor					30 deg Aiming Angle Horizontal Footcandles on Floor						30 deg Aiming Angle Vertical Footcandles on Wall						60 deg Aiming Angle Vertical Footcandles on Wall					
	D	FC	L	W	S	D	FC	L	W	S	CB	D	FC	L	W	S	CB	D	FC	L	W	S	CB
Spot: 9°	5	585	0.8	0.8	1	5	380	1.1	0.9	1	2.9	3	223	1.8	0.9	1.2	5.2	3	1056	0.7	0.5	0.6	1.7
CBCP: 14627	7.5	260	1.1	1.1	1.5	7.5	169	1.7	1.4	1.5	4.3	4	126	2.4	1.3	1.6	6.9	4	594	0.9	0.7	0.8	2.3
Lumens: 436	10	146	1.5	1.5	2	10	95	2.3	1.8	2	5.8	5	80	3	1.6	2	8.7	5	380	1.1	0.9	1	2.9
LpW: 55.2	12.5	94	1.9	1.9	2.5	12.5	61	2.8	2.3	2.5	7.2	6	56	3.6	1.9	2.4	10.4	6	264	1.4	1.1	1.2	3.5
	15	65	2.3	2.3	3	15	42	3.4	2.7	3	8.7												
Wide Spot: 15°	5	210	1.4	1.4	1.5	5	136	1.8	1.6	2	2.9	3	84	2.6	1.5	2.1	5.2	3	378	1.1	0.9	1.2	1.7
CBCP: 5238	7.5	93	2.1	2.1	2.3	7.5	60	2.7	2.4	3	4.3	4	47	3.5	2	2.8	6.9	4	213	1.4	1.3	1.6	2.3
Lumens: 449	10	52	2.8	2.8	3	10	34	3.6	3.2	4	5.8	5	30	4.4	2.5	3.5	8.7	5	136	1.8	1.6	2	2.9
LpW: 56.8	12.5	34	3.5	3.5	3.8	12.5	22	4.5	3.9	5	7.2	6	21	5.3	3.1	4.2	10.4	6	95	2.2	1.9	2.4	3.5
	15	23	4.2	4.2	4.5	15	15	5.4	4.7	6	8.7												
Narrow Flood: 25°	5	47	2.6	2.6	3.5	5	33	3.2	2.9	4	2.9	3	26	3.5	2.5	3.6	5.2	3	90	1.9	1.7	2.4	1.7
CBCP: 1186	7.5	21	3.9	3.9	5.3	7.5	14	4.8	4.4	6	4.3	4	15	4.7	3.4	4.8	6.9	4	51	2.6	2.3	3.2	2.3
Lumens: 384	10	12	5.2	5.2	7	10	8	6.4	5.8	8	5.8	5	9	5.8	4.2	6	8.7	5	33	3.2	2.9	4	2.9
LpW: 46.3	12.5	8	6.5	6.5	8.8	12.5	5	8	7.3	10	7.2	6	6	7	5.1	7.2	10.4	6	23	3.8	3.5	4.8	3.5
	15	5	7.8	7.8	10.5	15	4	9.6	8.7	12	8.7												
Flood: 40°	5	42	2.9	2.9	4	5	29	3.5	3.3	4.5	2.9	3	25	3.5	2.8	3.9	5.2	3	80	2.1	2	2.7	1.7
CBCP: 1044	7.5	19	4.4	4.4	6	7.5	13	5.2	5	6.8	4.3	4	14	4.6	3.7	5.2	6.9	4	45	2.8	2.6	3.6	2.3
Lumens: 391	10	10	5.8	5.8	8	10	7	7	6.6	9	5.8	5	9	5.8	4.6	6.5	8.7	5	29	3.5	3.3	4.5	2.9
LpW: 49.5	12.5	7	7.3	7.3	10	12.5	5	8.7	8.3	11.3	7.2	6	6	6.9	5.5	7.8	10.4	6	20	4.2	4	5.4	3.5
	15	5	8.8	8.8	12	15	3	10.5	9.9	13.5	8.7												

Notes and Definitions:

- Beam spread is to 50% center beam candlepower (CBCP).
- D=Distance in feet to floor or wall.
- FC=Footcandles on floor or wall at center beam aiming location.
- L=Effective Visual Beam length in feet (50% of maximum footcandle level.)
- W=Effective Visual Beam width in feet (50% of maximum footcandle level.)
- CB=Distance in feet across or down to center beam location.

