

Project		Catalog #		Type	
Prepared by		Notes		Date	



Lumark

NFFLD-S Night Falcon Small

Floodlight Luminaire

Product Certifications & Features



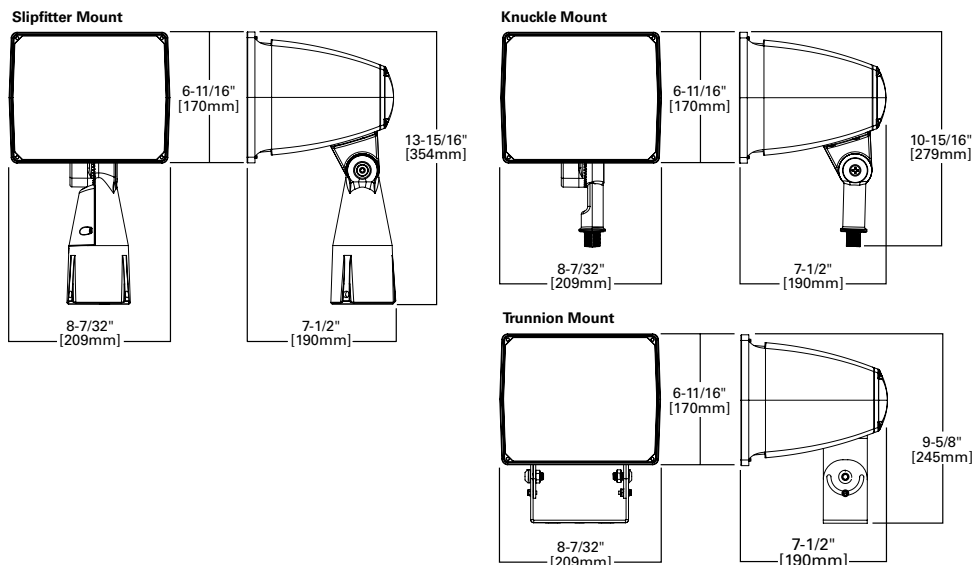
Interactive Menu

- Ordering Information page 2
- Product Specifications page 2
- Mounting Details page 3
- Energy and Performance Data page 4

Quick Facts

- Up to 161 lumens per watt
- Two optical distributions (wide and spot)
- Lumen packages ranging from 3,000 - 6,900 nominal lumens (20 - 50W)
- Replaces 70 - 150W HID

Dimensional Details



Ordering Information

Sample Number: NFFLD-S-C15-D-UNV-66-S-CB-PC1

Product Family ¹	Light Engine ²	Driver ³	Voltage	Distribution	Mounting	Color
NFFLD-S =Night Falcon Small BAA-NFFLD-S =Night Falcon Small, Buy American Act Compliant ¹⁶ TAA-NFFLD-S =Night Falcon Small, Trade Agreements Act Compliant ¹⁶ BABAE-NFFLD-S =Night Falcon Small, Build America Buy America Act Compliant ¹⁸ BABAF-NFFLD-S =Night Falcon Small, Build America Buy America Act Compliant ¹⁸	C70 =2,700 Nominal Lumens C15 =5,900 Nominal Lumens	D =Dimming (0-10V)	UNV =Universal 120-277V 347 =347V ⁴ 480 =480V ^{3,5}	33 =NEMA 3H x 3V ⁶ 66 =NEMA 6H x 6V Wide	S =Slipfitter ⁷ T =Trunnion KNC =Knuckle	CB =Carbon Bronze (Standard) BK =Black BZ =Bronze AP =Grey WH =White WHT =Summit White DP =Dark Platinum GM =Graphite Metallic
Options (Add as Suffix)				Accessories (Order Separately) ^{13,17}		
7030 =70 CRI / 3000K ⁸ 7050 =70 CRI / 5000K ⁸ 7060 =70 CRI / 5700K ⁸ 10MSP =10kV MOV Surge Protection HA =50°C High Ambient Temperature ⁹ PC1 =Button Type Photocontrol - 120V ¹⁰ PC2 =Button Type Photocontrol - 208-277V ¹⁰ PER =3-PIN Twistlock Photocontrol Receptacle ¹¹ PER7 =7-PIN Twistlock Photocontrol Receptacle ^{11,12}				RAB-XX =Right Angle Pipe Bracket for Slipfitter SAB-XX =Steel Angle Bracket for Trunnion TS2LW-NFFLD-XX =Top and Side Visors ¹⁴ VSLW-NFFLD =Vandal Shield ¹⁴ WGLW-NFFLD =Wire Guard ¹⁴ WOLC-7P-10A =WaveLinx Outdoor Control Module (7-pin) ¹⁵		

- NOTES:**
- DesignLights Consortium® Qualified and classified for both DLC Standard and DLC Premium, refer to www.designlights.org for details.
 - Standard 4000K CCT and minimum 70 CRI. Consult IES file for actual lumen output.
 - Consult factory for driver surge protection values.
 - 347V only available with PC2.
 - Only for use with 480V Wye systems. Per NEC, not for use with ungrounded systems, impedance grounded systems or corner grounded systems (commonly known as Three Phase Three Wire Delta, Three Phase High Leg Delta and Three Phase Corner Grounded Delta systems).
 - Nominal lumen values are lower for the spot optic distribution see lumen table.
 - Fits 2-3/8" O.D. tenon, wire leads runs through bottom of slipfitter.
 - Extended lead times apply. Use dedicated IES files for 3000K, 5000K and 5700K when performing layouts. These files are published on the Night Falcon Small luminaire product page on the website.
 - HA option not available with 3x3 configurations.
 - Cannot order button photocontrol with C15 lumen package and 480V (PC1 or PC2).
 - Requires extended back box.
 - Require 0-10V dimming driver.
 - Replace XX with color designation. Additional brackets and adaptors available on the poles product page on the website.
 - Cannot combine TS2LW (Top and Side Visor), VSLW (Vandal Shield), or WGLW (Wire Guard), limited to one external guard per fixture.
 - Requires 7-pin NEMA twistlock photocontrol receptacle. The WOLC-7 cannot be used in conjunction with additional sensors or controls.
 - Only product configurations with these designated prefixes are built to be compliant with the Buy American Act of 1933 (BAA) or Trade Agreements Act of 1979 (TAA), respectively. Please refer to DOMESTIC PREFERENCES website for more information. Components shipped separately may be separately analyzed under domestic preference requirements.
 - Accessories sold separately will be separately analyzed under domestic preference requirements. Consult factory for further information.
 - Only product configurations with these prefixes are built to be compliant with the Buy American Act of 1933 (BAA) or the Build America Buy America Act (BABA). BABA is the minimum Government compliance requirement for the Build America Buy America standards which is part of the Infrastructure and Investment Jobs Act (IIJA). Individual Government Agencies may have more stringent compliance standards. BABAE designates the product will meet the standards set for FHWA. As noted these projects must receive Government Funding by October 1, 2025. BABAF designates the product will meet the standards set for FHWA and FTA. As noted these projects must receive Government Funding by October 1, 2026. Please refer to the [DOMESTIC PREFERENCES](#) website or consult the CLS Domestic Preferences team for more information. Components shipped separately may be separately analyzed under domestic preference requirements.

Stock Ordering Information

Stock Sample Number: NFFLD-S-C15-T-UNV

Series	Light Engine	Mounting	Voltage	Options (Add as Suffix)
NFFLD-S =Night Falcon Small	C70 =2,700 Nominal Lumens C15 =5,900 Nominal Lumens	T =Trunnion KNC =Knuckle	UNV =Universal 120-277V 347 =347V	PC1 =Button Type Photocontrol - 120V PC2 =Button Photocontrol - 207-277V

NOTES: Options not available with stock products. Order accessories as separate items for field installation. Refer to standard ordering information to add options. Refer to In-Stock Guide for availability. Stock fixture is 4000K, non-dimming, 6x6 distribution, 120-277V or 347V, carbon bronze only. 347V only available with PC2.

Product Specifications

Construction

- Heavy-duty, die-cast aluminum housing, driver compartment, and driver housing door
- Driver compartment and optical chamber are IP66 rated
- Driver maintenance access via removable door using pan head screws
- One-piece silicone gasket seals the door to the fixture housing
- Nominal CCTs are +/- 275K

Optics

- Vacuum-metalized reflector for high-efficiency illumination
- NEMA 6HX6V and 3Hx3V distributions available
- Clear, tempered glass lens with full circumference form-in-place silicone gasket protects optics from damage

Electrical

- LED driver is mounted to removable die-cast aluminum door
- NEMA 6HX6V and 3Hx3V distributions available
- Ambient operating temperatures from -40°C to 40°C
- Greater than 93% lumen maintenance expected at 50,000 hours per IESNA TM-21
- 0-10V dimming driver available
- > 0.9 Power Factor; < 20% Total Harmonic Distortion

Mounting

- Suitable for mounting within 4' (1.2m) of the ground
- Heavy-gauge steel trunnion mount utilizing interlocking slide adjustment and is supplied with 3ft of pre-wired SOW, wet location rated, cord. (3G vibration rated per ANSI C136.31)

- Heavy-duty, die-cast aluminum knuckle base utilizes tooth-lock adjustment with visual 5° adjustment indicators that allow for 180° rotation of the luminaire. Knuckle fits 1/2" NPS available mounting junction box cover (supplied by others) and is secured with supplied locking nut. (1.5G vibration rated per ANSI C136.31)
- Die-cast aluminum slipfitter with a tooth-lock adjustment that can be adjusted in 5° increments. Slipfitter mounts to 2" pipe or 2-3/8" O.D. tenons (1.5G vibration rated per ANSI C136.31)
- Effective Projected Area: 0.55 sq. ft.

Compliance

- DLC and DLC Premium listed – visit designlights.org to confirm listed variations
- BAA domestic preference option meets BAA requirements
- Products that meet BABA through Exemption - Allows any product to satisfy BABA requirements regardless of domestic content manufacturing for projects funded by FHWA through Oct 1st 2025. See notes portion in Ordering Information section for more detail.
- Products that meet BABA through BAA Exemption - FHWA and FTA agencies are utilizing their BAA rules for BABA compliance. Cooper's products with a BAA designation are manufactured in the US and utilize a BAA COTS exemption rule for compliance. To verify a configured product with specific accessories and options meet BABA Domestic Preference Requirements; submit this catalog number to Cooper Lighting Quotation team for validation by our Engineering and Manufacturing teams. See notes portion in Ordering Information section for more detail.
- Please refer to the [DOMESTIC PREFERENCES](http://www.cooperlighting.com/legal) website or consult the CLS Domestic Preferences team for more information. Components shipped separately may be separately analyzed under domestic preference requirements.

Finish

- Housing and cast parts finished in five-stage super TGIC polyester powder coat paint, 2.5 mil nominal thickness for superior protection against fade and wear

Accessories

- Heavy-duty steel top and side visors control glare and spill light
- 1/8" thick UV stabilized vandal guard shields glass lens from impact when mounted at low levels
- Easy to install wire guard features a heavy-gauge welded construction with corrosion resistant powder coat finish to protect glass from projected objects

Shipping Data

- Approximate net weight: 13 lbs. (6 kgs.)

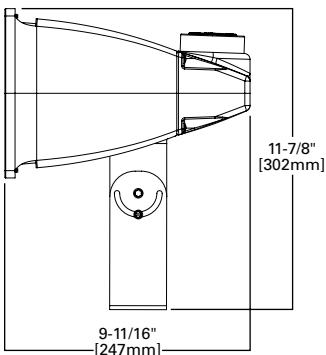
Warranty

- Five-year limited warranty. Consult website for details. www.cooperlighting.com/legal

Mounting Details

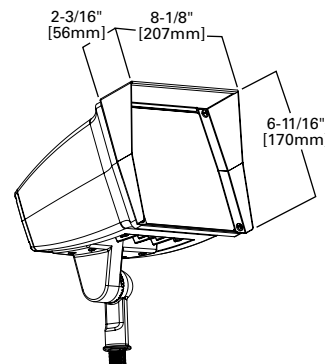
Options

NEMA Twistlock Photocontrol Receptacle

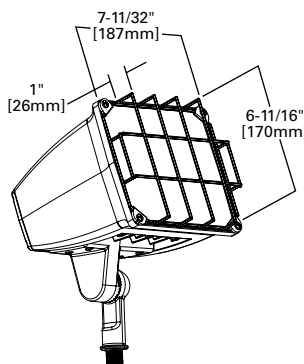


Accessories

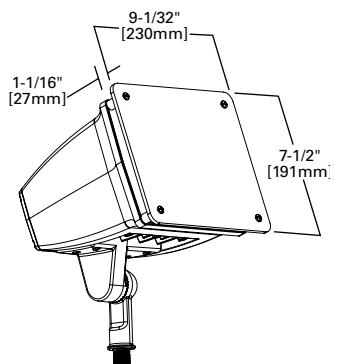
Top and Side Visors



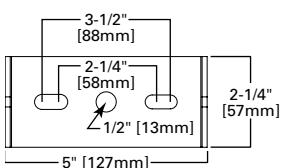
Wire Guard



Vandal Shield



Trunnion Mount Drilling Patterns



Energy and Performance Data

Power and Lumens

C70 LED	6 x 6				3 x 3			
	NFFLD-S-C70	NFFLD-S-C70-7060	NFFLD-S-C70-7050	NFFLD-S-C70-7030	NFFLD-S-C70	NFFLD-S-C70-7060	NFFLD-S-C70-7050	NFFLD-S-C70-7030
Delivered Lumens	2,682	2,656	2,760	2,632	2,883	2,824	2,935	2,799
CCT (Kelvin)	4000K	5700K	5000K	3000K	4000K	5700K	5000K	3000K
CRI (Color Rendering Index)	70	70	70	70	70	70	70	70
NEMA Distribution (H x V)	6H x 6V	6H x 6V	6H x 6V	6H x 6V	3H x 3V	3H x 3V	3H x 3V	3H x 3V
Power Consumption (Watts)	20	20	20	20	26	26	26	26
C15 LED	6 x 6				3 x 3			
	NFFLD-S-C15	NFFLD-S-C15-7060	NFFLD-S-C15-7050	NFFLD-S-C15-7030	NFFLD-S-C15	NFFLD-S-C15-7060	NFFLD-S-C15-7050	NFFLD-S-C15-7030
Delivered Lumens	5,797	5,741	6,066	5,785	5,499	5,386	5,596	5,337
CCT (Kelvin)	4000K	5700K	5000K	3000K	4000K	5700K	5000K	3000K
CRI (Color Rendering Index)	70	70	70	70	70	70	70	70
NEMA Distribution (H x V)	6H x 6V	6H x 6V	6H x 6V	6H x 6V	3H x 3V	3H x 3V	3H x 3V	3H x 3V
Power Consumption (Watts)	51	51	51	51	52	52	52	52

Current Draw

Voltage (V)	6 x 6		3 x 3	
	NFFLD-S-C70	NFFLD-S-C15	NFFLD-S-C70	NFFLD-S-C15
	Current (A)	Current (A)	Current (A)	Current (A)
120V	0.15	0.45	0.21	0.46
208V	0.09	0.25	0.13	0.26
240V	0.08	0.22	0.11	0.23
277V	0.07	0.19	0.10	0.20
347V	0.06	0.16	0.10	0.21
480V	0.05	0.13	0.07	0.22

Lumen Maintenance

Ambient Temperature	TM-21 Lumen Maintenance (60,000 Hours)	Theoretical L70 (Hours)
6H x 6V (Wide)		
25°C	> 94.55%	> 388,000
40°C	> 93.58%	> 327,000
50°C	--	--
3H x 3V (Spot)		
25°C	>92.18%	>262,000
40°C	>91.81%	>249,000

Lumen Multiplier

Ambient Temperature	Lumen Multiplier
10°C	1.03
15°C	1.02
25°C	1.00
40°C	0.97
50°C	0.96