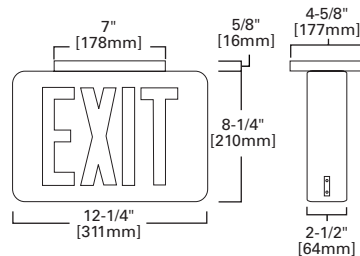


FEATURES

- 120/277 VAC, 60Hz input standard, Dual on XPAL and XPNL
- Solid-state circuitry (no mechanical relay is used)
- Sealed, maintenance-free, nickel cadmium battery
- White and black finishes are available
- Snap-together, injection-molded plastic construction
- Contemporary-styled, soft-corner design
- Easily removed changeable directional chevrons
- Variety of electrical and universal J-box mounting knockouts
- Low-profile mounting canopy

Compliances may not apply to all product configurations. Please consult the product spec sheet for compliance details.

COMPLIANCES: UL924 Listed; NFPA 101 Compliant



**PAL, PNL
CONTOURS EXIT
SIGN**

ORDERING INFORMATION

SAMPLE NUMBER: PNL-GU-BLK

Family	Letter Color	Number of Faces	Optional Finish
PAL =AC-Only Units, LED Illumination Dual Voltage 120/277 VAC PNL =Self-Powered, LED Illumination, Dual Voltage 120/277 VAC	G =Green R =Red	U =Universal, Two Faces with Canopy and Extra Backplate	BLK =Black

Options and Accessories

Accessories

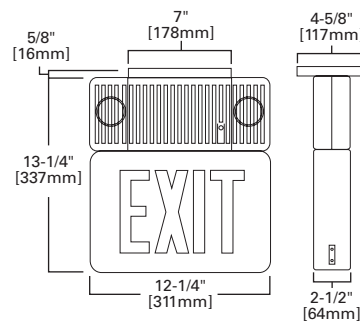
- GXB**=Wire Guard, Wall Mount, AC-Only Exit
- GXBC**=Wire Guard, Ceiling-End Wall Mount, Self-Powered Exit
- GXBW**=Wire Guard, Wall Mount, Self-Powered Exit
- GXC**=Wire Guard, Ceiling-End Wall Mount, AC-Only Exit
- PCB**=Canopy Kit, Black
- PCW**=Canopy Kit, White
- PSTB12**=12" Stem and Canopy Kit, Black
- PSTB6**=6" Stem and Canopy Kit, Black
- PSTW12**=12" Stem and Canopy Kit, White
- PSTW6**=6" Stem and Canopy Kit, White

FEATURES

- Dual 120/277 VAC, 60Hz input
- Solid-state circuitry (no mechanical relay is used)
- Output short-circuit and reverse polarity protected
- Transfer with AC line-latching
- Brownout protection
- Sealed, maintenance-free lead calcium battery
- Snap-together, injection-molded plastic construction
- Focus-enhancing emergency lenses
- Contemporary styled, soft-corner design

Compliances may not apply to all product configurations. Please consult the product spec sheet for compliance details.

COMPLIANCES: UL924 Listed; NFPA 101 Compliant



**PC3 CONTOURS
COMBO**

ORDERING INFORMATION

SAMPLE NUMBER: PC3-RU-BLK

Family	Letter Color	Number of Faces	Finish
PC3 =Self-powered polycarbonate combo emergency with LED exit sign	G =Green R =Red	1 =One Face U =Universal, Two Faces with Canopy and Extra Backplate	[Blank] =White BLK =Black

Options and Accessories

Accessories

- GXB**=Wire Guard, Wall Mount, AC-Only Exit
- GXBC**=Wire Guard, Ceiling-End Wall Mount, Self-Powered Exit
- GXBW**=Wire Guard, Wall Mount, Self-Powered Exit
- GXC**=Wire Guard, Ceiling-End Wall Mount, AC-Only Exit
- PCB**=Canopy Kit, Black
- PCW**=Canopy Kit, White
- PSTB12**=12" Stem and Canopy Kit, Black
- PSTB6**=6" Stem and Canopy Kit, Black
- PSTW12**=12" Stem and Canopy Kit, White
- PSTW6**=6" Stem and Canopy Kit, White